

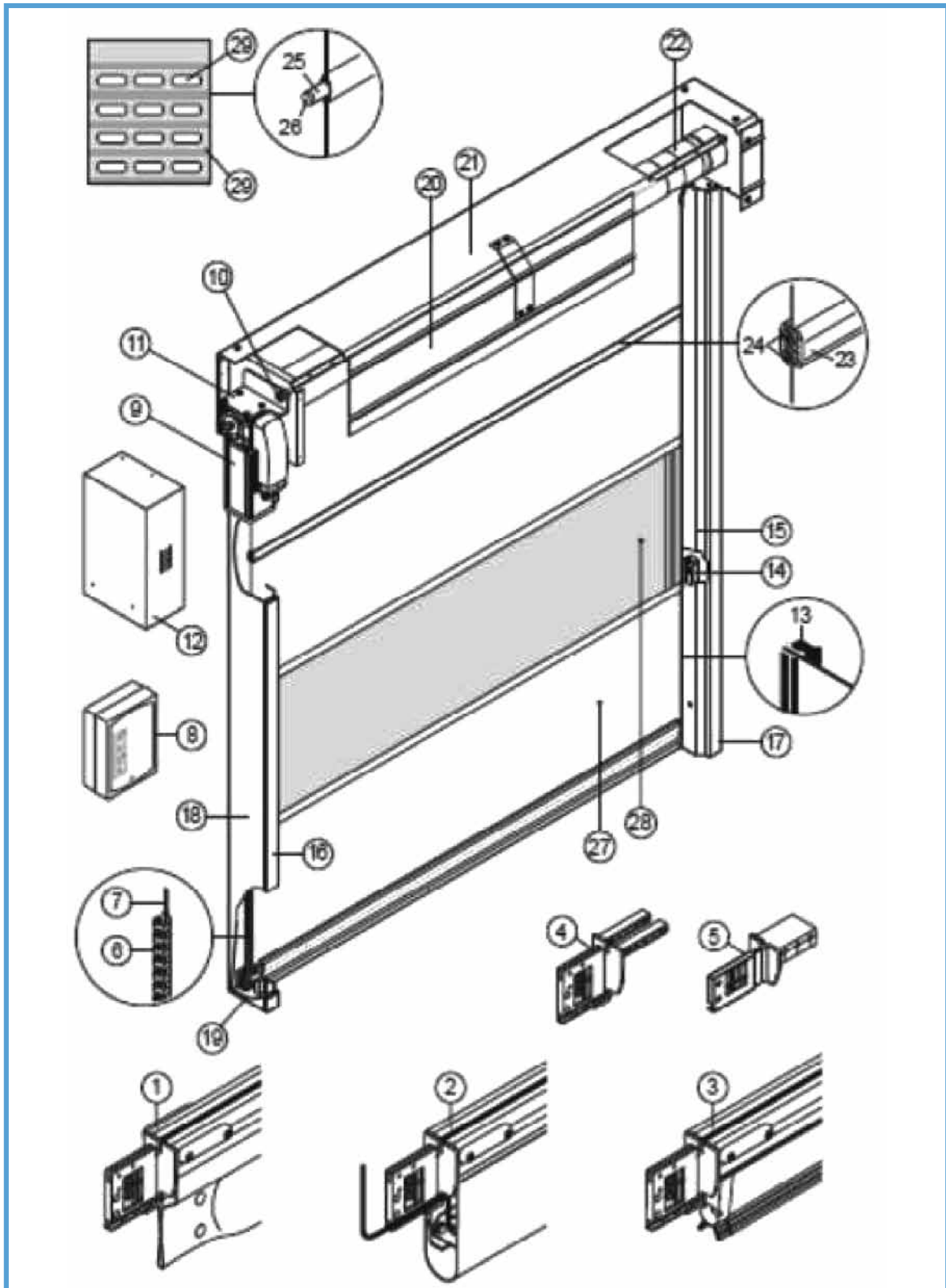


DITEC HIGH SPEED DOOR SPARES CATALOGUE

CONTENTS

NVM SMART PLUS	1
NVM SMART RESET	4
NVM SECTOR PLUS	7
NVM SECTOR RESET	10
NVM ALIMAX	13
NVM FLASH CS	16
NVM ENERGY	19
NVM TRAFFIC C	22
NVM TRAFFIC CM	26
NVM SAFETY EDGES	29
NVM ELECTRONIC BOARDS	32
NVM MOTORS	34

NVM SMART PLUS



Brook Street Nelson Lancashire BB9 9PU
T: 01282 615239 F: 01282 698509 E: sales@nvmgroup.co.uk
W: www.nvmgroup.co.uk

NVM SMART PLUS

Dwg Ref	Part No	Description	Unit Price £gbp
1	HSD250	SMART PLUS - PASSIVE EDGE COMPLETE (PL < 4000mm)	255.00
1	HSD251	SMART PLUS - PASSIVE EDGE COMPLETE (PL < 6000mm)	348.00
2	HSD252	SMART PLUS - ELECTROMECHANICAL SAFETY EDGE COMPLETEPL (<4000mm)	334.00
2	HSD253	SMART PLUS - ELECTROMECHANICAL SAFETY EDGE COMPLETEPL (<6000mm)	424.00
3	HSD254	SMART PLUS - SOF SAFETY EDGE COMPLETE (PL <4000mm)	484.00
3	HSD255	SMART PLUS - SOF SAFETY EDGE COMPLETE (PL <6000mm)	612.00
4	HSD256	SMART PLUS - ELECTROMECHANICAL AND SOF ACS SAFETY EDGE SHOE	24.00
5	HSD257	SMART PLUS - ELECTROMECHANICAL AND SOF ACS SAFETY EDGE SHOE (Obsolete)	33.00
6	HSD258	SMART PLUS - CABLE CARRIER CHAIN L 1m	20.00
7	HSD259	SMART PLUS - SAFETY EDGE CABLE 2 WIRES	12.00
8	HSD260	SMART PLUS - EXTERNAL ELECTRONIC CONTROL BOARD	0.00
9	HSD261	SMART PLUS - GEARED MOTOR AND RELEVANT PARTS	0.00
10	HSD262	SMART PLUS - SILENT BLOCK D25	11.00
11	HSD263	SMART PLUS - LEFT HAND MOTOR SUPPORT BRACKET SET	54.00
	HSD264	SMART PLUS - RIGHT HAND MOTOR SUPPORT BRACKET SET	54.00
12	HSD265	SMART PLUS - MOTOR COVER LEFT SIDE WITH SCREWS	110.00
	HSD266	SMART PLUS - MOTOR COVER RIGHT SIDE WITH SCREWS	154.00
13	HSD267	SMART PLUS - ROLL OF PVC GASKET FOR POSTS L 70 m	396.00
14	HSD268	SMART PLUS - INFRARED PHOTOCCELL	74.00
15	HSD269	SMART PLUS - ROUGH COLUMN COVER RIGHT SIDE L 6195 mm	39.00
	HSD270	SMART PLUS - COLUMN COVER R/H COMPLETE (PH ≤ 6000mm)	251.00
	HSD271	SMART PLUS - COLUMN COVER R/H COMPLETE 9PH ≤ 6000mm0 S/STEEL	398.00
16	HSD272	SMART PLUS - ROUGH COLUMN COVER L/H L 6195mm	39.00
	HSD273	SMART PLUS - COLUMN COVER L/H COMPLETE (PH ≤ 6000mm)	251.00

	HSD274	SMART PLUS - COLUMN COVER L/H COMPLETE (PH ≤ 6000mm) S/STEEL	398.00
17	HSD275	SMART PLUS - ROUGH COLUMN R/H L 6200mm	85.00
	HSD276	SMART PLUS - COLUMN COVER R/H COMPLETE (PH ≤ 6000mm)	660.00
	HSD277	SMART PLUS - COLUMN COVER R/H COMPLETE (PH ≤ 6000mm) S/STEEL	1265.00
18	HSD278	SMART PLUS - ROUGH LEFT COLUMN L 6200 mm	85.00
	HSD279	SMART PLUS - COLUMN WITH COVER L/H COMPLETE (PH ≤ 6000mm)	660.00
	HSD280	SMART PLUS - COLUMN WITH COVER L/H COMPLETE (PH ≤ 6000mm) S/STEEL	1265.00
19	HSD281	SMART PLUS - COLUMN PLATES AND ACCESSORIES R/H	137.00
	HSD282	SMART PLUS - COLUMN PLATES AND ACCESSORIES L/H	155.00
20	HSD283	SMART PLUS - TRANSOM COVER COMPLETE (PL 6000mm)	196.00
21	HSD284	SMART PLUS - TRANSOM CASING COMPLETE (PL 6000mm)	1332.00
	HSD285	SMART PLUS - EXTRACHARGE FOR FRAME PAINTING	99.00
22	HSD286	SMART PLUS - ROLLING SHAFT COMPLETE (PL ≤ 4000mm)	577.00
	HSD287	SMART PLUS - ROLLING SHAFT COMPLETE (PL ≤ 6000mm)	646.00
23	HSD288	SMART PLUS - REINFORCED ALUMINIUM CURTAIN PROFILE 4250mm	66.00
	HSD289	SMART PLUS - REINFORCED ALUMINIUM CURTAIN PROFILE 5250mm	85.00
	HSD290	SMART PLUS - REINFORCEDL ALUMINIUM CURTAIN PROFILE 6250mm	101.00
24	HSD291	SMART PLUS - KIT OF 4 EXPANSION SCREWS FRO CURTAIN PROFILE	7.00
25	HSD292	SMART PLUS - GALVANIZED PIPE FOR FULL CURTAIN ø 18x1,5 L 6500 mm	17.00
	HSD293	SMART PLUS - GALVANIZED PIPE FOR FULL CURTAIN ø 22x1,5 L 6500 mm	22.00
26	HSD294	SMART PLUS - CAP FOR PIPE ø 18x1,5 mm	0.55
	HSD295	SMART PLUS - CAP FOR PIPE ø 22x1,5 mm	0.55
	HSD296	SMART PLUS - PIPES / PROFILES SHARP CUTTING	30.00
27	HSD297	SMART PLUS - PVC TRANSPARENT SECTIONS H 930mm	84.00

Polyester Section H930mm x Width: charged at Sq Mtr.

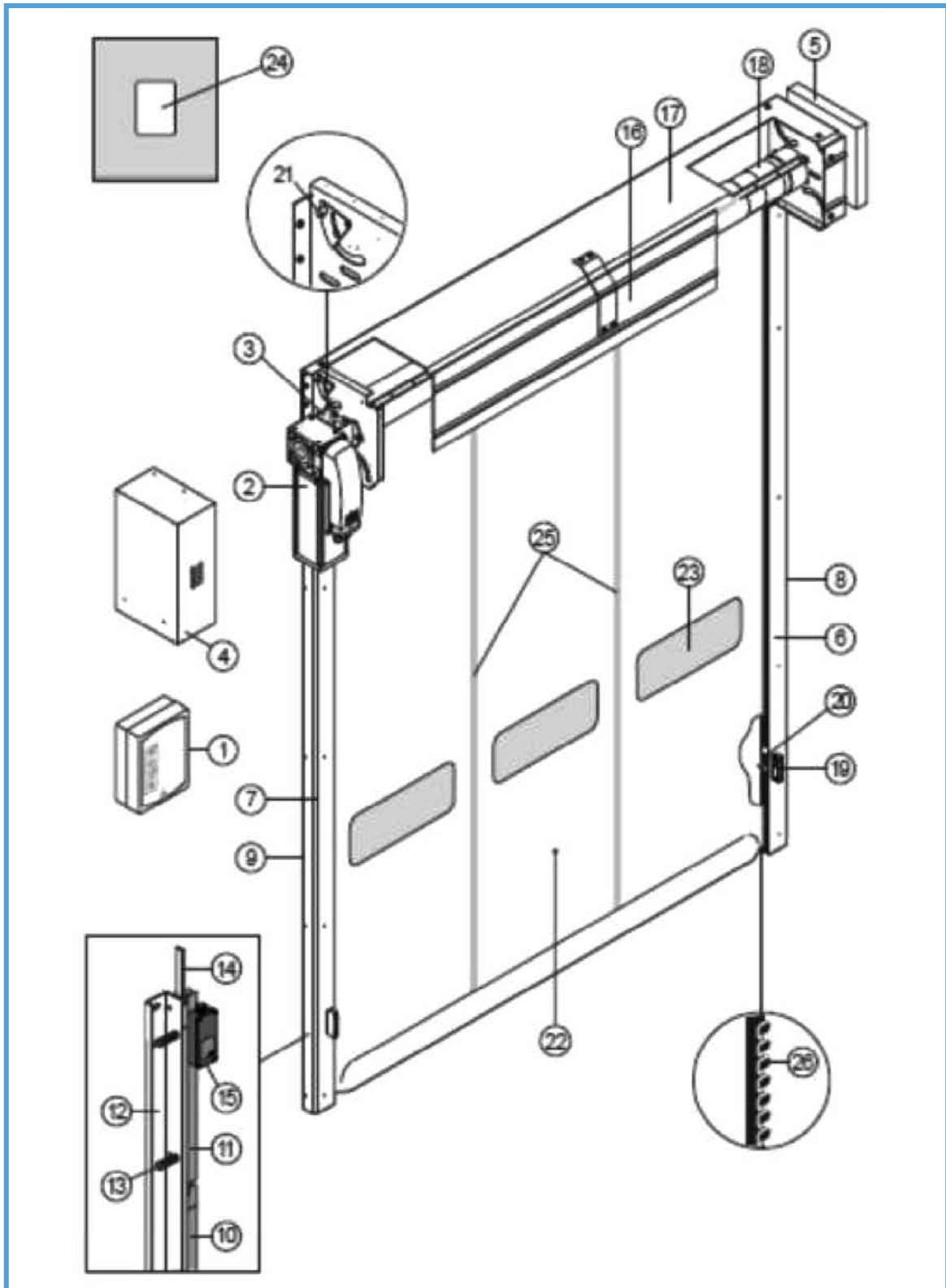
Ensure correct Curtain Colour is quoted when ordering, or the Welding Colour (for PVC Sections).

Confirm the eventual Safety Edge Joint (1st Section from Floor)

FULL CURTAINS TABLE

	2000	2500	3600	4000	5000	6000	
2200							2200
2800	(A)						2800
3000		(B)					3000
3600				(C)			3600
4000					(D)		4000
6000							6000

NVM SMART RESET

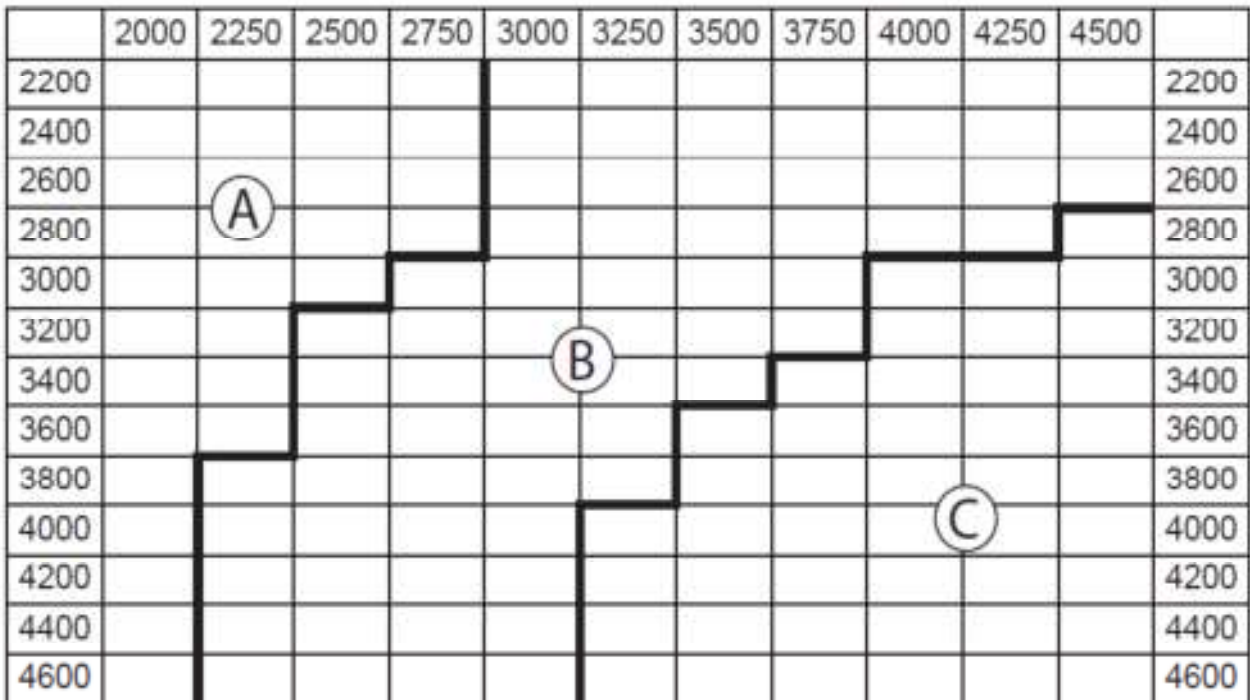


Brook Street Nelson Lancashire BB9 9PU
T: 01282 615239 F: 01282 698509 E: sales@nvmgroup.co.uk
W: www.nvmgroup.co.uk

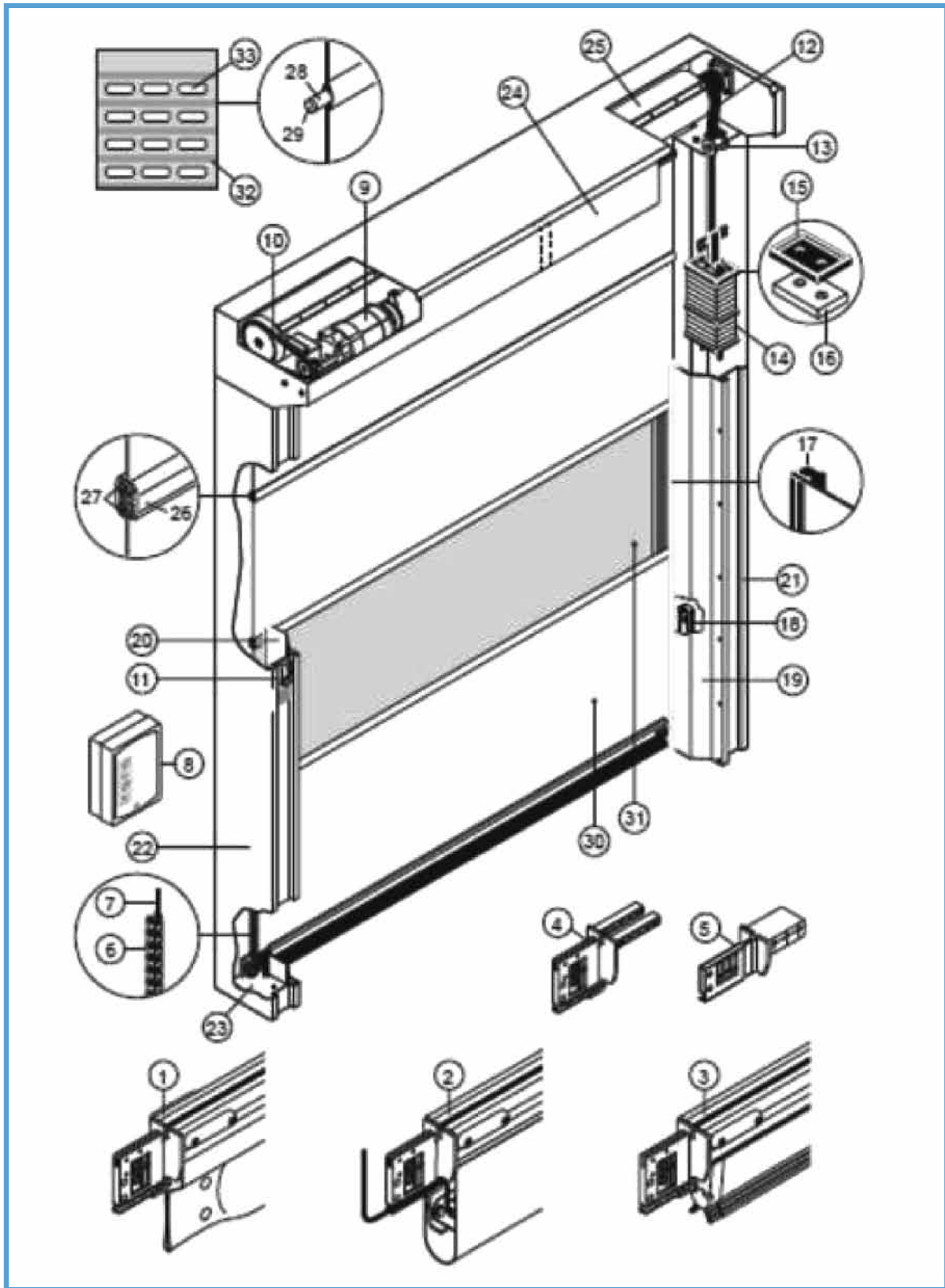
NVM SMART RESET

Dwg Ref	Part No	Description	Unit Price £gbp
3	HSD201	SMART RESET - GEARED MOTOR SUPPORT BRACKET	64.00
4	HSD202	SMART RESET - MOTOR COVER L/H WITH SCREWS	110.00
5	HSD203	SMART RESET - CASING HEAD L/H	17.00
	HSD204	SMART RESET - CASING HEAD R/H	17.00
6	HSD205	SMART RESET - ROUGH COLUMN COVER R/H (PH ≤ 4600mm)	36.00
	HSD206	SMART RESET - ROUGH COLUMN COVER R/H (PH ≤ 4600mm) S/STEEL	92.00
7	HSD207	SMART RESET - ROUGH COLUMN COVER L/H (PH ≤ 4600mm)	36.00
	HSD208	SMART RESET - ROUGH COLUMN COVER L/H (PH ≤ 4600mm) S/STEEL	92.00
8	HSD209	SMART RESET - COLUMN (NO COVER) R/H (PH ≤ 4600mm)	473.00
	HSD210	SMART RESET - COLUMN (NO COVER) R/H (PH ≤ 4600mm) S/STEEL	773.00
9	HSD211	SMART RESET - COLUMN (NO COVER) L/H (PH ≤ 4600mm)	473.00
	HSD212	SMART RESET - COLUMN (NO COVER) L/H (PH ≤ 4600mm) S/STEEL	773.00
10	HSD213	SMART RESET - BOTTOM SIDE GUIDE PROFILE (L 4800mm)	118.00
11	HSD214	SMART RESET - TOP SIDE GUIDE PROFILE (L 450mm)	65.00
12	HSD215	SMART RESET - ROUGH SUPPORT FOR SIDE GUIDE (PH ≤ 4600mm)	38.00
13	HSD216	SMART RESET - GUIDE COMPENSATION SPRING	1.10
14	HSD217	SMART RESET - PLATE GUIDE SUPPORT (L 1990mm)	13.00
15	HSD218	SMART RESET - ELECTRONIC SAFETY LINEAR ENCODER SET	242.00
	HSD219	SMART RESET - LINEAR ENCODER	110.00
16	HSD220	SMART RESET - COMPLETE ROUGH TRANSOM COVER (PL ≤ 4500mm)	56.00
17	HSD221	SMART RESET - COMPLETE TRANSOM (PL ≤ 4500mm)	824.00
18	HSD222	SMART RESET - COMPLETE ROLLING SHAFT (PL ≤ 4500mm)	650.00
19	HSD223	SMART RESET - INFRARED PHOTOCCELL	74.00
20	HSD224	SMART RESET - INFRARED PHOTOCCELL IP67	129.00

21	HSD225	SMART RESET - ELECTRONIC SAFETY DEVICE DSC	177.00
22	HSD226	SMART RESET - SELF-REPAIRING FULL CURTAIN - A - (SEE TABLE)	83.00
	HSD227	SMART RESET - SELF-REPAIRING FULL CURTAIN - B -	72.00
	HSD228	SMART RESET - SELF-REPAIRING FULL CURTAIN - C -	62.00
23	HSD229	SMART RESET - ONE WINDOW 980mm x 300mm	16.00
	HSD230	SMART RESET - WINDOW MICROMESH WINDOW 980mm x 300mm	36.00
	HSD231	SMART RESET - BLACK WINDOW 980mm x 300mm	44.00
24	HSD232	SMART RESET - WINDOW SIZE 920mm x 1600mm	94.00
25	HSD233	SMART RESET - N°4 VERTICLE REINFORCING STRIPS FOR CURTAIN (PL> 3750mm)	23.00
	HSD234	SMART RESET - EXTRACHARGE FOR FRAME PAINTING	99.00
4	HSD235	SMART RESET - MOTOR COVER R/H WITH SCREWS	110.00
1	HSD236	SMART RESET - EXTERNAL ELECTRONIC CONTROL BOARD	0.00
2	HSD237	SMART RESET - GEARED MOTOR AND RELEVANT PARTS	0.00



NVM SECTOR PLUS



Brook Street Nelson Lancashire BB9 9PU
T: 01282 615239 F: 01282 698509 E: sales@nvmgroup.co.uk
W: www.nvmgroup.co.uk

NVM SECTOR PLUS

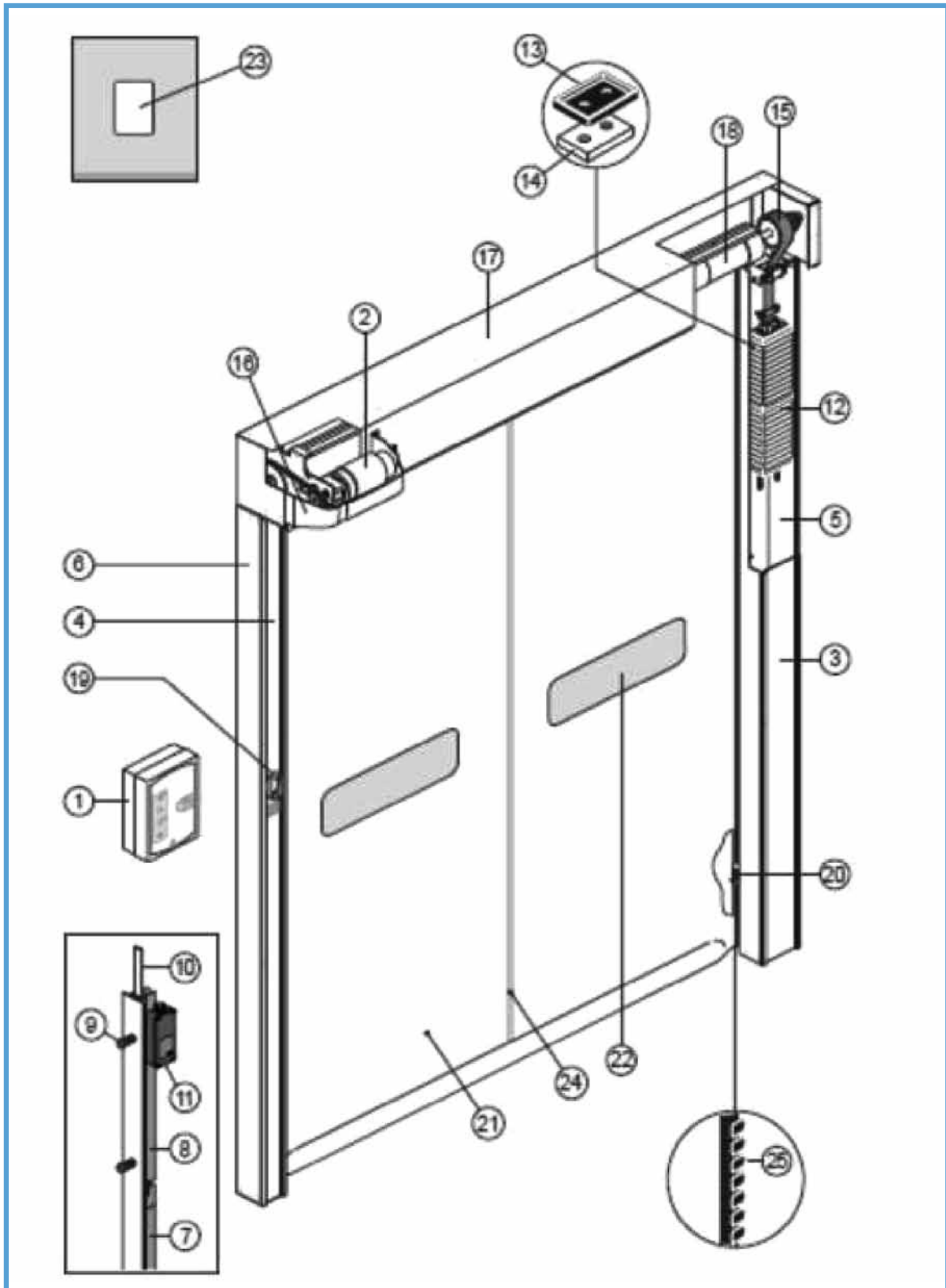
Dwg Ref	Part No	Description	Unit Price £gbp
1	HSD301	SECTOR PLUS - COMPLETE PASSIVE EDGE PL	255.00
	HSD302	SECTOR PLUS - COMPLETE PASSIVE EDGE PL	348.00
2	HSD303	SECTOR PLUS - ELECTROMECHANICAL SAFETY EDGE COMPLETE (PL < 4000 mm)	341.00
	HSD304	SECTOR PLUS - ELECTROMECHANICAL SAFETY EDGE COMPLETE (PL < 6000 mm)	451.00
3	HSD305	SECTOR PLUS - SOF SAFETY EDGE COMPLETE (PL< 4000mm)	488.00
	HSD306	SECTOR PLUS - SOF SAFETY EDGE COMPLETE (PL< 6000mm)	616.00
4	HSD307	SECTOR PLUS - ELECTROMECHANICAL AND SOF ACS SAFETY EDGE SHOE	24.00
5	HSD308	SECTOR PLUS - ELECTROMECHANICAL AND SOF ACS SAFETY EDGE SHOE (OBSOLETE)	28.00
6	HSD309	SECTOR PLUS - CABLE CARRIER CHAIN (L 1m)	20.00
7	HSD310	SECTOR PLUS - SAFETY EDGE CABLE 2 WIRES	12.00
8	HSD311	SECTOR PLUS - EXTERNAL ELECTRONIC CONTROL BOARD	0.00
9	HSD312	SECTOR PLUS - GEARED MOTOR AND RELEVANT PARTS	0.00
10	HSD313	SECTOR PLUS - TRASMISSION CHAIN	47.00
11	HSD314	SECTOR PLUS - ADDITIONAL RELEASE SYSTEM KIT	47.00
12	HSD315	SECTOR PLUS - COUNTERWEIGHT LIFT BELT (L 50m ROLL)	494.00
13	HSD316	SECTOR PLUS - NYLON COUNTERWEIGHT SECONDARY PULLEY	54.00
14	HSD317	SECTOR PLUS - BASIC COUNTERWEIGHT SET	66.00
15	HSD318	SECTOR PLUS - COUNTERWEIGHT HOLDER	14.00
16	HSD319	SECTOR PLUS - CAST IRON MODULAR COUNTERWEIGHT 100mm X 50mm X 30mm	17.00
	HSD320	SECTOR PLUS - LEAD MODULAR COUNTERWEIGHT 100mm X 50mm X 30mm	51.00
17	HSD321	SECTOR PLUS - ROLL OF PVC GASKET FOR POSTS L 70m	396.00
18	HSD322	SECTOR PLUS - INFRARED PHOTOCCELL	74.00
19	HSD323	SECTOR PLUS - ROUGH COLUMN COVER R/H L 6190mm	61.00
	HSD324	SECTOR PLUS - COLUMN COVER COMPLETE R/H (PH ≤ 6000mm)	255.00
	HSD325	SECTOR PLUS - COLUMN COVER COMPLETE R/H (PH ≤ 6000mm) S/STEEL	485.00

20	HSD326	SECTOR PLUS - ROUGH COLUMN COVER L/H L 6190mm	61.00
	HSD327	SECTOR PLUS - COLUMN COVER COMPLETE L/H (PH ≤ 6000mm)	255.00
	HSD328	SECTOR PLUS - COLUMN COVER COMPLETE L/H (PH ≤ 6000mm) S/STEEL	485.00
21	HSD329	SECTOR PLUS - ROUGH COLUMN R/H (L 6200mm)	129.00
	HSD330	SECTOR PLUS - COLUMN WITH COVER COMPLETE R/H (PH ≤ 6000mm)	978.00
	HSD331	SECTOR PLUS - COLUMN WITH COVER COMPLETE R/H (PH ≤ 6000mm) S/STEEL	2065.00
22	HSD332	SECTOR PLUS - ROUGH COLUMN L/H (L 6200mm)	129.00
	HSD333	SECTOR PLUS - COLUMN WITH COVER COMPLETE L/H (PH ≤ 6000mm)	1013.00
	HSD334	SECTOR PLUS - COLUMN WITH COVER COMPLETE L/H (PH ≤ 6000mm) S/STEEL	1770.00
23	HSD335	SECTOR PLUS - COLUMN PLATES AND ACCESSORIES R/H	168.00
	HSD336	SECTOR PLUS - COLUMN PLATES AND ACCESSORIES L/H	175.00
24	HSD337	SECTOR PLUS - TRANSOM COVER COMPLETE (PL 6000mm)	230.00
	HSD338	SECTOR PLUS - EXTRACHARGE FOR FRAME PAINTING	109.00
25	HSD339	SECTOR PLUS - ROLLING SHAFT WITH SCREWED FLANGE COMPLETE (PL <3000mm)	472.00
	HSD340	SECTOR PLUS - ROLLING SHAFT WITH SCREWED FLANGE COMPLETE (PL <6000mm)	692.00
26	HSD341	SECTOR PLUS - REINFORCED ALUMINIUM CURTAIN PROFILE (L 4250mm)	66.00
	HSD342	SECTOR PLUS - REINFORCED ALUMINIUM CURTAIN PROFILE (L 5250mm)	85.00
	HSD343	SECTOR PLUS - REINFORCED ALUMINIUM CURTAIN PROFILE (L 6250mm)	101.00
27	HSD344	SECTOR PLUS - KIT OF 4 CURTAIN EXPANSION SCREWS FOR CURTAIN PROFILE	7.00
28	HSD345	SECTOR PLUS - GALVANISED PIPE FOR FULL CURTAIN ø 18 X 1,5 (L 6500mm)	17.00
	HSD346	SECTOR PLUS - GALVANISED PIPE FOR FULL CURTAIN ø 22 X 1,5 (L 6500mm)	22.00
29	HSD347	SECTOR PLUS - CAP FOR PIPE ø 18x1,5 mm	0.55
	HSD348	SECTOR PLUS - CAP FOR PIPE ø 22x1,5 mm	0.55
	HSD349	SECTOR PLUS - PIPES / PROFILES SHARP CUTTING	30.00

TABELLA TELI INTERI
FULL CURTAINS TABLE

	2000	2500	3600	4000	5000	6000	
2200							2200
2600	A						2600
3000		B					3000
3600				C			3600
4600							4600
6000					D		6000

NVM SECTOR RESET



Brook Street Nelson Lancashire BB9 9PU
T: 01282 615239 F: 01282 698509 E: sales@nvmgroup.co.uk
W: www.nvmgroup.co.uk

NVM SECTOR RESET

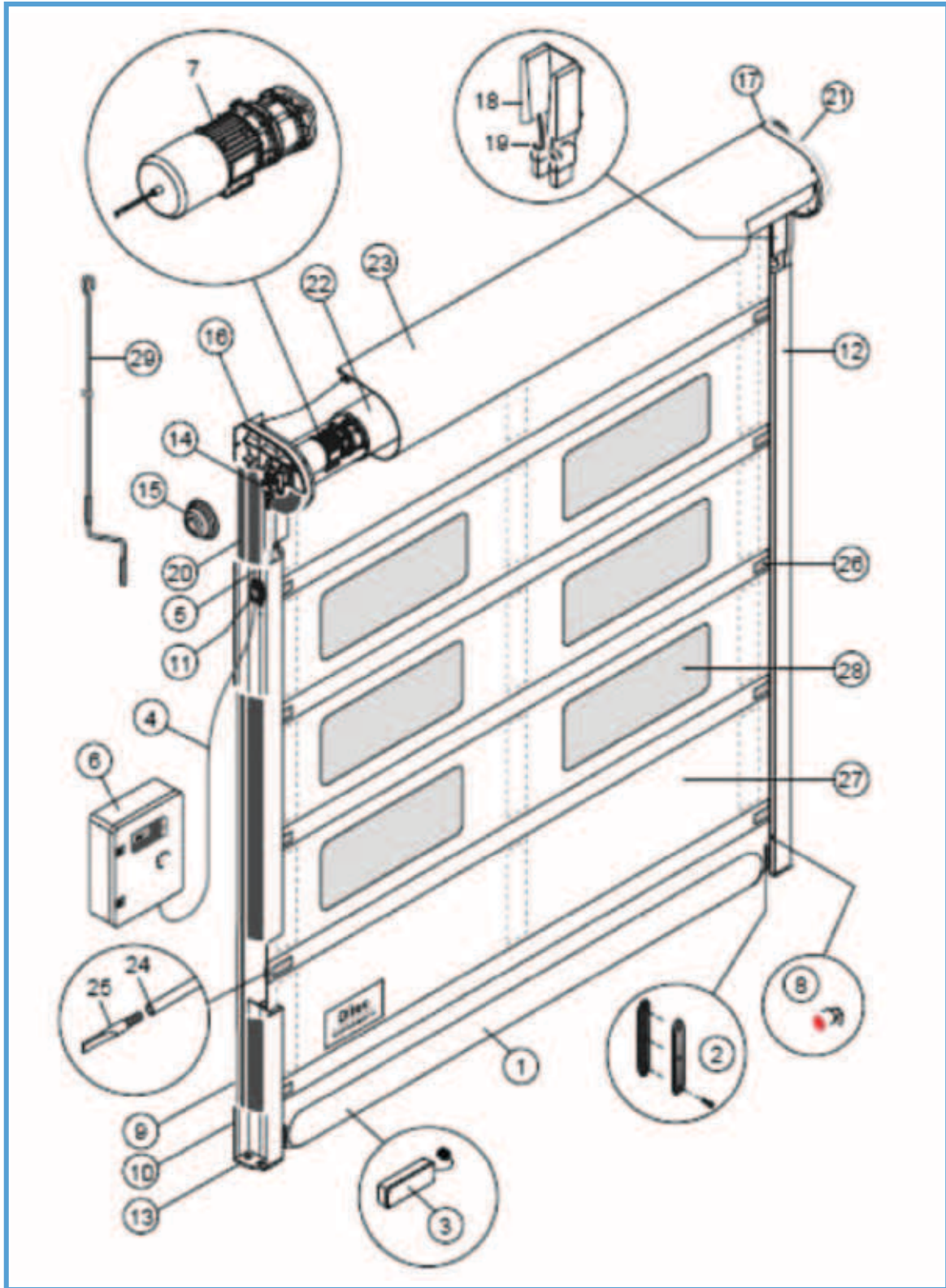
Dwg Ref	Part No	Description	Unit Price £gbp
1	HSD350	SECTOR RESET - EXTERNAL ELECTRONIC CONTROL BOARD	0.00
2	HSD351	SECTOR RESET - GEARED MOTOR AND RELEVANT PARTS	0.00
3	HSD352	SECTOR RESET - ROUGH COLUMN COVER R/H (L 5197mm)	82.00
	HSD353	SECTOR RESET - ROUGH COLUMN COVER R/H (L 5197mm) S/STEEL	495.00
4	HSD354	SECTOR RESET - ROUGH COLUMN COVER L/H (L 5197mm)	53.00
	HSD355	SECTOR RESET - ROUGH COLUMN COVER L/H (L 5197mm) S/STEEL	317.00
5	HSD356	SECTOR RESET - COLUMN WITH COVER COMPLETE R/H	725.00
	HSD357	SECTOR RESET - COLUMN WITH COVER COMPLETE R/H S/STEEL	1673.00
6	HSD358	SECTOR RESET - COLUMN WITH COVER COMPLETE L/H	654.00
	HSD359	SECTOR RESET - COLUMN WITH COVER COMPLETE L/H S/STEEL	1590.00
	HSD360	SECTOR RESET - EXTRACHARGE FOR FRAME PAINTING	134.00
7	HSD361	SECTOR RESET - BOTTOM SIDE GUIDE PROFILE (L 4800mm)	118.00
8	HSD362	SECTOR RESET - TOP SIDE GUIDE PROFILE (L 450mm)	65.00
9	HSD363	SECTOR RESET - GUIDE COMPENSATION SPRING	1.10
10	HSD364	SECTOR RESET - PLATE GUIDE SUPPORT (L 1990mm)	13.00
11	HSD365	SECTOR RESET - ELECTRONIC SAFETY LINEAR ENCODER SET	242.00
	HSD366	SECTOR RESET - LINEAR ENCODER	110.00
12	HSD367	SECTOR RESET - BASIC COUNTERWEIGHT SET	54.00
13	HSD368	SECTOR RESET - COUNTERWEIGHT HOLDER	14.00
14	HSD369	SECTOR RESET - CAST IRON MODULAR COUNTERWEIGHT 100mm x 150mm x 30mm	17.00
	HSD370	SECTOR RESET - LEAD MODULAR COUNTERWEIGHT 100mm x 150mm x 30mm	51.00
15	HSD371	SECTOR RESET - LIFTING BELT FOR COUNTERWEIGHT (L 50m ROLL)	116.00
16	HSD372	SECTOR RESET - MOTOR PLASTIC COVER	116.00
17	HSD373	SECTOR RESET - TRANSOM (WITHOUT MOTOR AND MOTOR COVER)COMPLETE	2514.00
18	HSD374	SECTOR RESET - COMPLETE ROLLING SHAFT	735.00

19	HSD375	SECTOR RESET - ADDITIONAL RELEASE SYSTEM KIT	47.00
20	HSD376	Infrared Photocell IP67	129.00
21	HSD377	Self-Repairing Curtain A See Table	83.00
	HSD378	Self-Repairing Curtain B See Table	83.00
	HSD379	Self-Repairing Curtain C See Table	83.00
25	HSD380	Curtain Zipper 10 Teeth Set	55.00

TABELLA TELI INTERI
FULL CURTAINS TABLE

	2000	2250	2500	2750	3000	3250	3500	3750	4000	4250	4500	5250	6000	
2200														2200
2400														2400
2600														2600
2800		(A)												2800
3000														3000
3200														3200
3400														3400
3600														3600
3800														3800
4000														4000
4200														4200
4400														4400
4600														4600
5000														5000

NVM ALIMAX



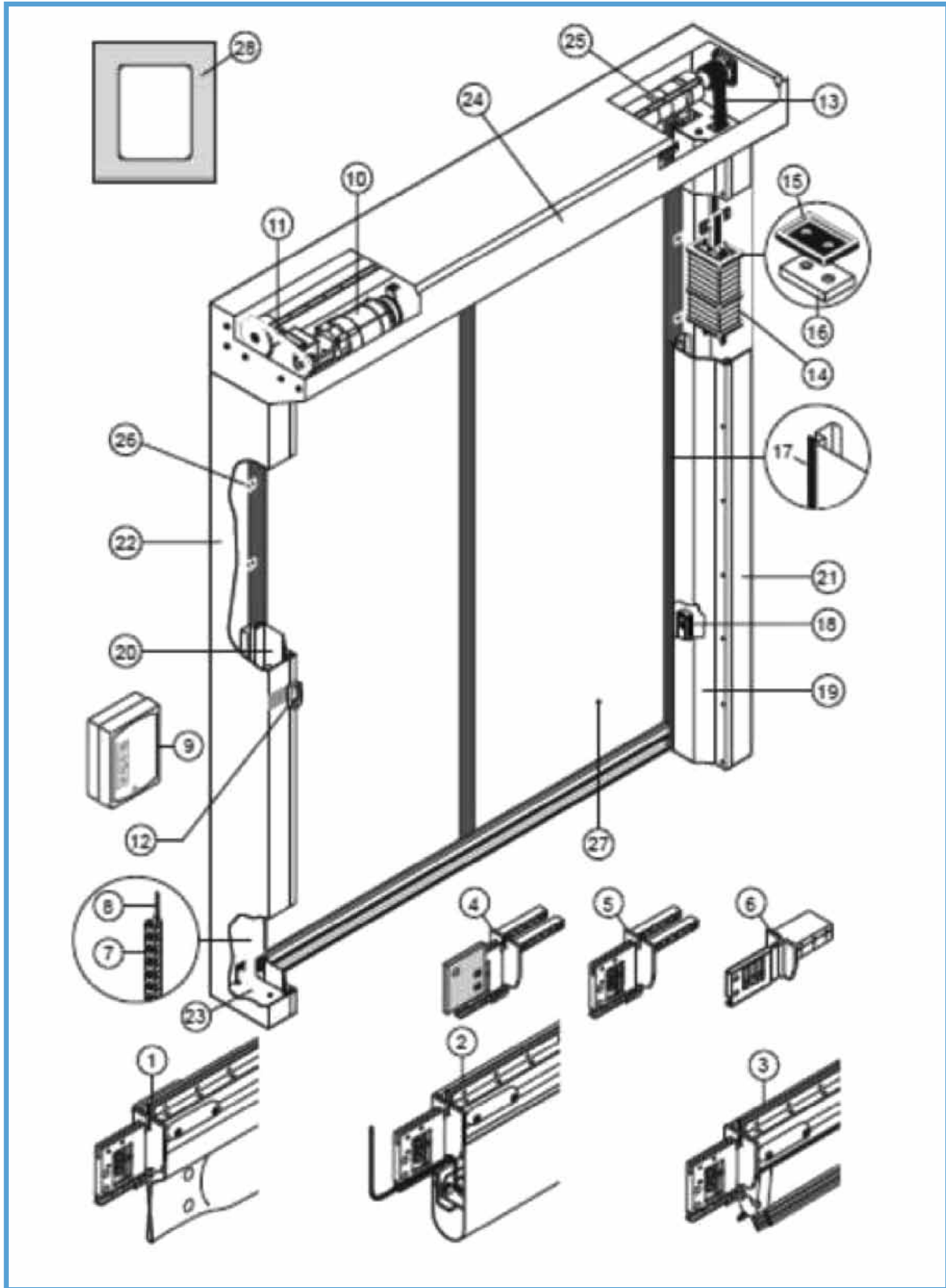
Brook Street Nelson Lancashire BB9 9PU
T: 01282 615239 F: 01282 698509 E: sales@nvmgroup.co.uk
W: www.nvmgroup.co.uk

NVM ALIMAX

Dwg Ref	Part No	Description	Unit Price £gbp
1	HSD401	ALIMAX - INNER SAND BALLAST	69.00
	HSD402	ALIMAX - ASO SAFETY EDGE	430.00
2	HSD403	ALIMAX - SET OF 4 pcs LATERAL PLATES WITH SCREWS	33.00
3	HSD404	ALIMAX - WIRELESS SIGNAL TRANSMISSION DEVICE	233.00
4	HSD405	ALIMAX - QE/JUNCTION BOX CABLE (auxiliary cable)	32.00
5	HSD406	ALIMAX - CABLE FOR MANAUL RELEASE SYSTEM	14.00
6	HSD407	ALIMAX - EXTERNAL ELECTRONIC CONTROL BOARD	4343.00
	HSD408	ALIMAX - BRAKE ELECTRONIC CARD	222.00
7	HSD409	ALIMAX - GEARED MOTOR AND RELEVANT PARTS	1989.00
8	HSD410	ALIMAX - INFRARED PHOTOCELL	124.00
9	HSD411	ALIMAX - ROUGH COLUMN COVER R/H (L 3850mm)	135.00
10	HSD412	ALIMAX - COLUMN (WITHOUT COVER) L/H	391.00
11	HSD413	ALIMAX - JUNCTION BOX SET FOR LEFT COLUMN	30.00
12	HSD414	ALIMAX - COLUMN (WITHOUT COVER) R/H	357.00
13	HSD415	ALIMAX - PAIR OF BOTTOM PLATES LH+RH	33.00
14	HSD416	ALIMAX - MOTOR RELEASE SYSTEM	480.00
15	HSD417	ALIMAX - MOTOR RELEASE SYSTEM COVER	22.00
16	HSD418	ALIMAX - TOP SIDE PLATE (WITHOUT COVER) L/H	234.00
17	HSD419	ALIMAX - TOP SIDE PLATE (WITHOUT COVER) R/H	265.00
18	HSD420	ALIMAX - CURTAIN GUIDES PLATES	45.00
19	HSD421	ALIMAX - SET 4pcs WINGS FOR SELF REPAIR CURTAIN	25.00
20	HSD422	ALIMAX - SIDE PLATE COVER FOR DOOR WITH RELEASE SYSTEM L/H	59.00
	HSD423	ALIMAX - SIDE PLATE COVER FOR DOOR WITHOUT RELEASE SYSTEM L/H	59.00
21	HSD424	ALIMAX - TOP COVER PLATE R/H	59.00
22	HSD425	ALIMAX - COMPLETE ROLLING SHAFT (WITHOUT MOTOR)	651.00

23	HSD426	ALIMAX - TRANSOM COVER	176.00
24	HSD427	ALIMAX - CURTAIN PIPE L=2220mm (WITHOUT LATERAL SHOES)	66.00
	HSD428	ALIMAX - CURTAIN PIPE L=3700mm (WITHOUT LATERAL SHOES)	84.00
25	HSD429	ALIMAX - SET 2pcs CURTAIN SHOES	22.00
26	HSD430	ALIMAX - SET 10pcs LATERAL CURTAIN REINFORCMENT	35.00
	HSD431	ALIMAX - SET 10pcs LATERAL CURTAIN REINFORCMENT	30.00
27	HSD432	FULL CURTAIN IN POLYESTER 900GM / SQ MTR	143.00 m2
	HSD433	ECO FULL CURTAIN	154.00 m2
	HSD434	FULL CURTAIN 120GM	168.00 m2
28	HSD435	WINDOW 980mm x 300mm	16.00
	HSD436	CURTAIN ASSEMBLY	232.00
29	HSD437	MOVEMENT ROD (L = 2000mm)	29.00
	HSD438	MOVEMENT ROD (L = 1500mm)	26.00
	HSD439	MOVEMENT ROD (L = 1000mm)	25.00

NVM FLASH CS



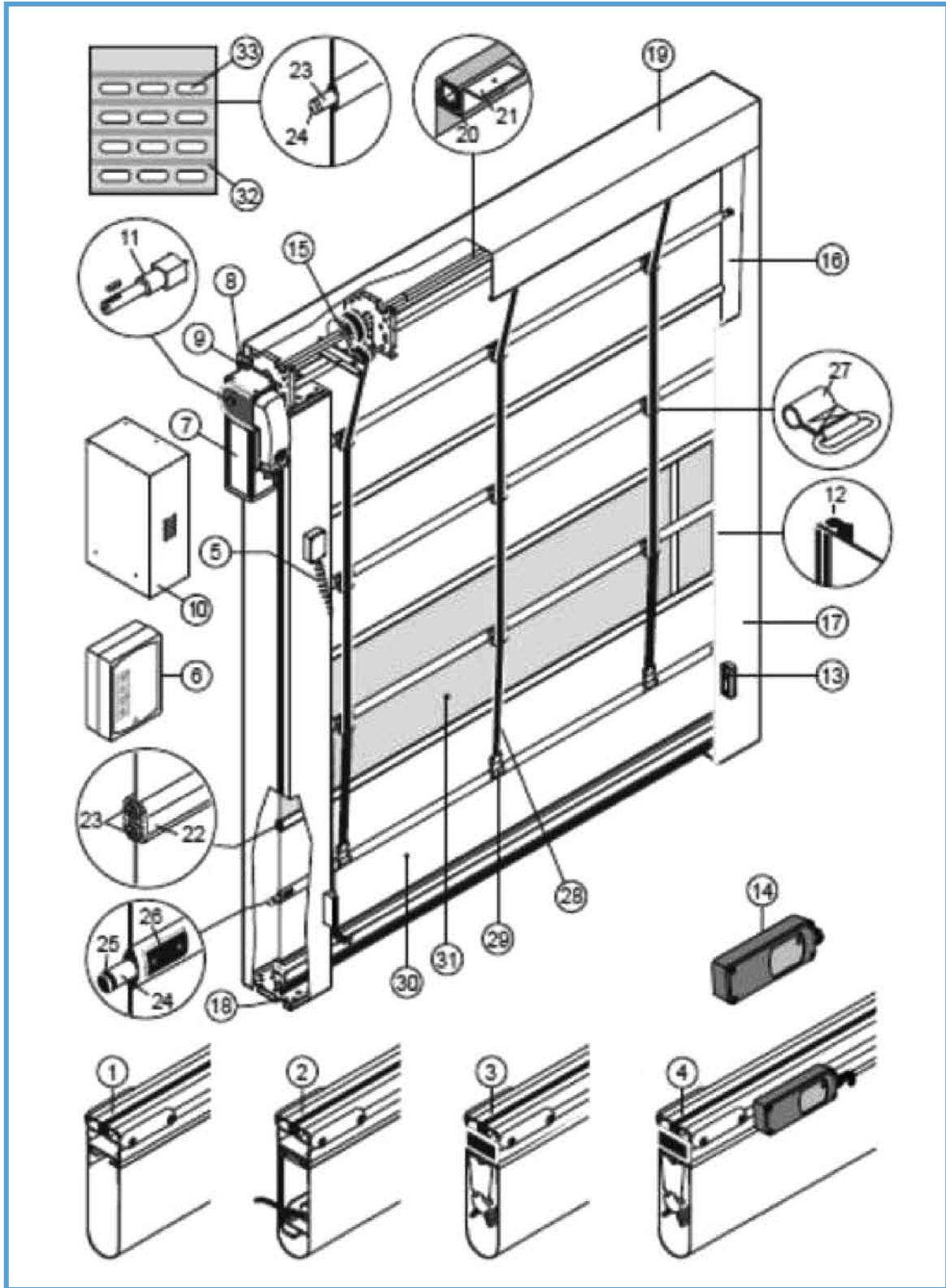
Brook Street Nelson Lancashire BB9 9PU
T: 01282 615239 F: 01282 698509 E: sales@nvmgroup.co.uk
W: www.nvmgroup.co.uk

NVM FLASH CS

Dwg Ref	Part No	Description	Unit Price £gbp
1	HSD501	FLASH CS - PASSIVE EDGE WITH STANDARD PROFILE COMPLETE (PL <=4000 mm)	279.00
2	HSD502	FLASH CS - ELECTROMECHANICAL SAFETY EDGE COMPLETE (PL < 4000mm)	398.00
3	HSD503	FLASH CS - SOF SAFETY EDGE COMPLETE (PL < 4000mm)	660.00
4	HSD504	FLASH CS - SHOES GROUP (SHOES 27925A+FIXING CHAIN PLATE)	58.00
5	HSD505	FLASH CS - ELECTROMECHANICAL SHOE AND SOF ACS SAFETY EDGE	28.00
6	HSD506	FLASH CS - ACS SHOE SAFETY EDGE (out of production)	28.00
7	HSD507	FLASH CS - CABLE CARRIER CHAIN (L 1m)	20.00
8	HSD508	FLASH CS - SAFETY EDGE CABLE 2 WIRES	12.00
9	HSD509	FLASH CS - EXTERNAL ELECTRONIC CONTROL BOARD	0.00
10	HSD510	FLASH CS - GEARED MOTOR AND RELEVANT PARTS	0.00
11	HSD511	FLASH CS - TRASMISSION CHAIN	47.00
12	HSD512	FLASH CS - ADDITIONAL RELEASE SYSTEM KIT	47.00
13	HSD513	FLASH CS - COUNTERWEIGHT LIFT BELT (L 50m ROLL)	494.00
14	HSD514	FLASH CS - BASIC COUNTERWEIGHT SET	66.00
15	HSD515	FLASH CS - COUNTERWEIGHT HOLDER	14.00
16	HSD516	FLASH CS - CAST IRON MODULAR COUNTERWEIGHT 100mm x 150mm x 30mm	17.00
	HSD517	FLASH CS - LEAD MODULAR COUNTERWEIGHT 100mm x 150mm x 30mm	51.00
17	HSD518	FLASH CS - BRUSH + SUPPORT KIT (L 2500mm)	37.00
18	HSD519	FLASH CS - INFRARED PHOTOCELL STAINLESS STEEL VERSION	74.00
19	HSD520	FLASH CS - ROUGH COLUMN COVER R/H (L 4190mm)	176.00
	HSD521	FLASH CS - COLUMN COVER COMPLETE R/H (PH ≤ 4000mm)	264.00
	HSD522	FLASH CS - COLUMN COVER COMPLETE R/H (PH ≤ 4000mm) S/STEEL	587.00
20	HSD523	FLASH CS - COLUMN COVER COMPLETE L/H (PH ≤ 4000mm)	176.00
	HSD524	FLASH CS - COLUMN COVER COMPLETE L/H (PH ≤ 4000mm) S/STEEL	264.00
	HSD525	FLASH CS - STAINLESS STEEL LEFT COVER COLUMN COMPLETE	587.00

21	HSD526	FLASH CS - ROUGH COLUMN R/H (L 4200mm)	203.00
	HSD527	FLASH CS - COLUMN COMPLETE R/H (PH ≤ 4000mm)	763.00
22	HSD528	FLASH CS - ROUGH COLUMN L/H (T1 VERSION) (L 4200mm)	203.00
	HSD529	FLASH CS - ROUGH COLUMN WITH PUSH BUTTON HOLES L/H (T2 VERSION) (L 4200mm)	203.00
	HSD530	FLASH CS - COLUMN WITH COVER (T1 VERSION) COMPLETE L/H (PH ≤ 4000mm)	773.00
	HSD531	FLASH CS - COLUMN WITH PUSH BUTTON HOLES AND COVER (T2 VERSION) COMPLETE L/H (L 4200mm)	773.00
23	HSD532	FLASH CS - COLUMN PLATES AND ACCESSORIES R/H	217.00
	HSD533	FLASH CS - COLUMN PLATE AND ACCESSORIES L/H	209.00
24	HSD534	FLASH CS - TRANSOM COVER (T1 VERSION) COMPLETE (PL ≤ 4000mm)	230.00
	HSD535	FLASH CS - TRANSOM COVER (T2 VERSION) COMPLETE (PL ≤ 4000mm)	448.00
	HSD536	FLASH CS - TRANSOM COVER (T2 VERSION) COMPLETE (PL ≤ 4000mm) S/STEEL	932.00
	HSD537	FLASH CS - EXTRACHARGE FOR FRAME PAINTING	109.00
25	HSD538	FLASH CS - COMPLETE ROLLING SHAFT	553.00
	HSD539	FLASH CS - WIND LOCKS + SCREWS	7.00

NVM ENERGY



Brook Street Nelson Lancashire BB9 9PU
T: 01282 615239 F: 01282 698509 E: sales@nvmgroup.co.uk
W: www.nvmgroup.co.uk

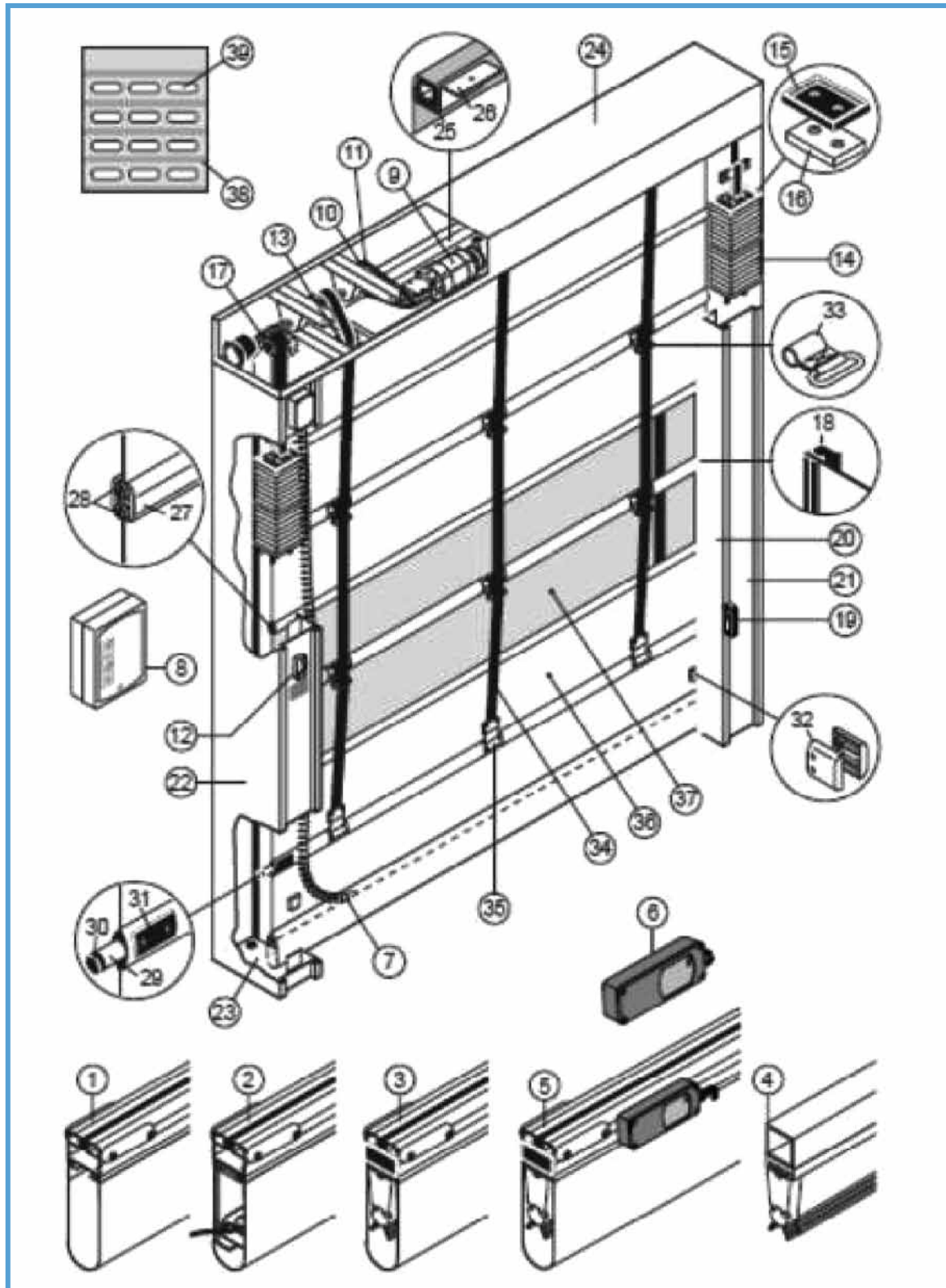
NVM ENERGY

Dwg Ref	Part No	Description	Unit Price £gbp
1	HSD601	ENERGY - PASSIVE EDGE COMPLETE (PL <=6000mm)	243.00
2	HSD602	ENERGY - ELECTROMECHANICAL SAFETY EDGE COMPLETE (PL < 4000mm)	362.00
	HSD603	ENERGY - ELECTROMECHANICAL SAFETY EDGE COMPLETE (PL < 6000mm)	425.00
3	HSD604	ENERGY - SOF SAFETY EDGE COMPLETE (PL <4000mm)	551.00
	HSD605	ENERGY - SOF SAFETY EDGE COMPLETE (PL <6000mm)	683.00
4	HSD606	ENERGY - SOF SAFETY EDGE WITH GOPAV COMPLETE PL <4000mm)	606.00
	HSD607	ENERGY - SOF SAFETY EDGE WITH GOPAV COMPLETE PL <6000mm)	735.00
5	HSD608	ENERGY - SPIRAL CABLE 2x0,75 UP TO 5000mm LONG	115.00
	HSD609	ENERGY - SPIRAL CABLE 4x0,75 UP TO 4250mm LONG	127.00
6	HSD610	ENERGY - EXTERNAL ELECTRONIC CONTROL BOARD	0.00
7	HSD611	ENERGY - GEARED MOTOR AND RELEVANT PARTS	0.00
8	HSD612	ENERGY - K22 MOTOR SUPPORT KIT BRACKET L/H	40.00
	HSD613	ENERGY - K22 MOTOR SUPPORT KIT BRACKET R/H	91.00
9	HSD614	ENERGY - SILENT BLOCK D25	11.00
10	HSD615	ENERGY - MOTOR COVER L/H	140.00
	HSD616	ENERGY - MOTOR COVER R/H	174.00
11	HSD617	ENERGY - TRANSMISSION PIVOT GROUP	87.00
12	HSD618	ENERGY - PVC GASKET FOR POSTS (L 70m ROLL)	396.00
13	HSD619	ENERGY - INFRARED PHOTOCCELL STAINLESS STEEL VERSION	74.00
14	HSD620	ENERGY - WIRELESS SIGNAL TRANSMISSION DEVICE	233.00
15	HSD621	ENERGY - NYLON SECONDARY PULLEY	54.00
16	HSD622	ENERGY - ROUGH COLUMN (L 6250mm)	240.00
17	HSD623	ENERGY - COLUMN COMPLETE LEFT/RIGHT (PH ≤ 5500mm)	554.00
	HSD624	ENERGY - EXTRACHARGE FOR FRAME PAINTING	82.00
18	HSD625	ENERGY - COLUMNS PLATES AND ACCESSORIES	106.00

19	HSD626	ENERGY - TRANSOM COMPLETE (PL ≤ 4500mm)	1,413.00
	HSD627	ENERGY - TRANSOM COMPLETE (PL ≤ 6000mm)	1,567.00
20	HSD628	ENERGY - GALVANIZED TUBLAR PART 20mm x 20mm x 2mm (L 6000 mm)	38.00
21	HSD629	ENERGY - TOP CURTAIN COUPLING	13.00
22	HSD630	ENERGY - REINFORCED ALUMINIUM CURTAIN PROFILE (L 4250mm)	66.00
	HSD631	ENERGY - REINFORCED ALUMINIUM CURTAIN PROFILE (L 5250mm)	85.00
	HSD632	ENERGY - REINFORCED ALUMINIUM CURTAIN PROFILE (L 6250mm)	101.00
23	HSD633	ENERGY - KIT OF 4 EXPANSION SCREWS FOR CURTAIN PROFILE	7.00
24	HSD634	ENERGY - GALVANISED PIPE FOR FULL CURTAIN ø 18 X 1,5 (L 6500mm)	17.00
	HSD635	ENERGY - GALVANISED PIPE FOR FULL CURTAIN ø 22 X 1,5 (L 6500mm)	22.00
25	HSD636	ENERGY - CAP FOR PIPE ø 18x1,5 mm	0.55
	HSD637	ENERGY - CAP FOR PIPE ø 22x1,5 mm	0.55
	HSD638	ENERGY - PIPES / PROFILES SHARP CUTTING	30.00
26	HSD639	ENERGY - CURTAIN PROTECTION SHELL WITH SCREWS	2.10
27	HSD640	ENERGY - PIPE CANVAS BELT SLEEVE FOR POLYESTER SECTION	8.00
	HSD641	ENERGY - PIPE CANVAS BELT SLEEVE FOR PVC TRANSPARENT SECTION	6.00
28	HSD642	ENERGY - LIFTING BELT FOR CURTAIN & COUNTERWEIGHT (L 50m ROLL)	116.00
29	HSD643	ENERGY - CURTAIN LIFTING SLEEVE	11.00
30	HSD644	ENERGY - COLOURED POLYESTER SECTION (H 930mm)	81.00
31	HSD645	ENERGY - PVC TRANSPARENT SECTION (H 930mm)	97.00
32	HSD646	ENERGY – FULL CURTAIN – A SEE TABLE	78.00 m2
	HSD647	ENERGY – FULL CURTAIN – B SEE TABLE	64.00 m2
	HSD648	ENERGY – FULL CURTAIN – C SEE TABLE	58.00 m2
	HSD649	ENERGY – FULL CURTAIN – D SEE TABLE	33.00 m2

	1500	2000	2500	3800	4000	4500	5500	6000	
2000									2000
2200		(A)							2200
2600					(B)				2600
3000							(C)		3000
3800									3800
4600								(D)	4600
5500									5500

NVM TRAFFIC C



Brook Street Nelson Lancashire BB9 9PU
T: 01282 615239 F: 01282 698509 E: sales@nvmgroup.co.uk
W: www.nvmgroup.co.uk

NVM TRAFFIC C

Dwg Ref	Part No	Description	Unit Price £gbp
1	HSD701	TRAFFIC C - PASSIVE EDGE COMPLETE (PL <=6000mm)	243.00
2	HSD702	TRAFFIC C - ELECTROMECHANICAL SAFETY EDGE COMPLETE (PL < 4000mm)	362.00
	HSD703	TRAFFIC C - ELECTROMECHANICAL SAFETY EDGE COMPLETE (PL < 4000mm)	425.00
3	HSD704	TRAFFIC C - SOF SAFETY EDGE COMPLETE (PL < 4000mm)	551.00
	HSD705	TRAFFIC C - SOF SAFETY EDGE COMPLETE (PL < 6000mm)	683.00
4	HSD706	TRAFFIC C - SAFETY EDGE SQUARE SOF FULL CURTAIN STEEL PIPE COMPLETE (PL < 4000mm)	686.00
	HSD707	TRAFFIC C - SAFETY EDGE SQUARE SOF FULL CURTAIN STEEL PIPE COMPLETE (PL < 4000mm)	834.00
5	HSD708	TRAFFIC C - SOF SAFETY EDGE WITH GOPAV COMPLETE (PL < 4000 mm)	606.00
	HSD709	TRAFFIC C - SOF SAFETY EDGE WITH GOPAV COMPLETE (PL < 6000 mm)	735.00
6	HSD710	TRAFFIC C - WIRELESS SIGNAL TRANSMISSION DEVICE	233.00
7	HSD711	TRAFFIC C - SPIRAL CABLE 2x0,75 UP TO 5000 mm LONG	115.00
	HSD712	TRAFFIC C - SPIRAL CABLE 4x0,75 UP TO 4250 mm LONG	127.00
8	HSD713	TRAFFIC C - EXTERNAL ELECTRONIC CONTROL BOARD	0.00
9	HSD714	TRAFFIC C - GEARED MOTOR AND RELEVANT PARTS	0.00
10	HSD715	TRAFFIC C - TRASMISSION CHAIN	47.00
11	HSD716	TRAFFIC C - SHAFT COG-WHEEL 24 TEETH	103.00
	HSD717	TRAFFIC C - SHAFT COG-WHEEL 30 TEETH	108.00
	HSD718	TRAFFIC C - SHAFT COG-WHEEL Z33 TEETH	108.00
12	HSD719	TRAFFIC C - ADDITIONAL RELEASE SYSTEM KIT	47.00
13	HSD720	TRAFFIC C - NYLON SECONDARY PULLEY	54.00
14	HSD721	TRAFFIC C - BASIC COUNTERWEIGHT SET	55.00
15	HSD722	TRAFFIC C - COUNTERWEIGHT HOLDER TRAFFIC C	9.00
16	HSD723	TRAFFIC C - CAST IRON MODULAR COUNTERWEIGHT 45mm x 150mm x 30mm TRAFFIC c	9.00
17	HSD724	TRAFFIC C - NYLON COUNTERWEIGHT SECONDARY PULLEY	58.00
18	HSD725	TRAFFIC C - PVC GASKET FOR POSTS (L 70m ROLL)	396.00

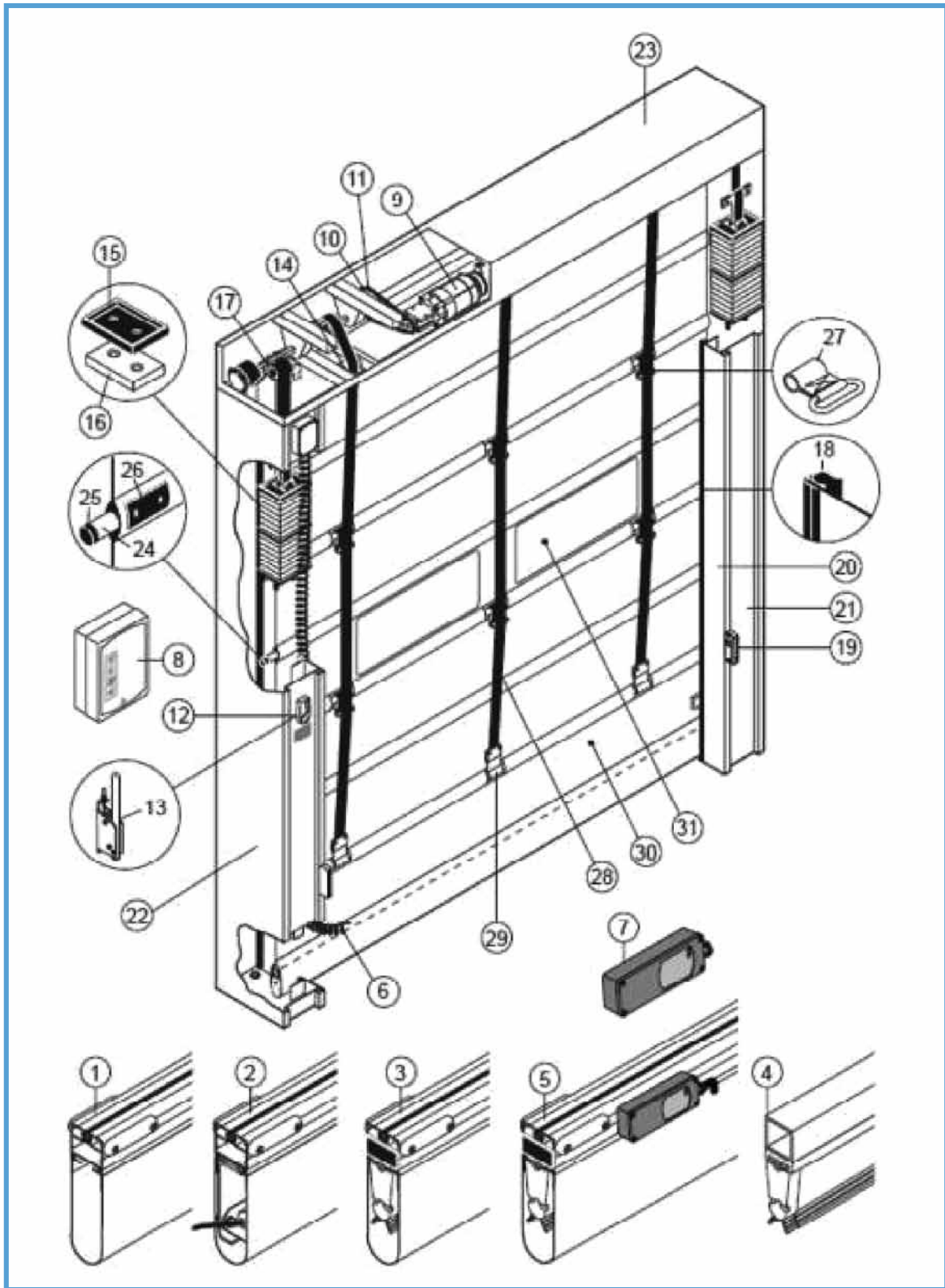
19	HSD726	TRAFFIC C - INFRARED PHOTOCELL STAINLESS STEEL VERSION	74.00
20	HSD727	TRAFFIC C - ROUGH COLUMN COVER (L 6245mm)	60.00
	HSD728	TRAFFIC C - COLUMN COVER COMPLETE (PH ≤ 5500mm)	290.00
	HSD729	TRAFFIC C - COLUMN COVER COMPLETE (PH ≤ 5500mm) S/STEEL	464.00
21	HSD730	TRAFFIC C - COLUMN WITH COVER COMPLETE R/H (PH ≤ 5500mm)	836.00
22	HSD731	TRAFFIC C - COLUMN WITH COVER COMPLETE L/H (PH ≤ 5500mm)	841.00
23	HSD732	TRAFFIC C - COLUMN PLATES AND ACCESSORIES R/H	147.00
	HSD733	TRAFFIC C - COLUMN PLATES AND ACCESSORIES L/H	210.00
24	HSD734	TRAFFIC C - TRANSOM COMPLETE (MOTOR NOT INCLUDED) (PL ≤ 4500mm)	1690.00
	HSD735	TRAFFIC C - TRANSOM COMPLETE (MOTOR NOT INCLUDED) (PL ≤ 6000mm)	1939.00
	HSD736	TRAFFIC C - EXTRACHARGE FOR FRAME PAINTING	99.00
25	HSD737	TRAFFIC C - GALVANIZED TUBULAR PART 20mm x 20mm x 2mm (L 6000mm)	38.00
26	HSD738	TRAFFIC C - TOP CURTAIN COUPLING	13.00
27	HSD739	TRAFFIC C - REINFORCED LALUMINIUM CURTAIN PROFILE (L 4250mm)	66.00
	HSD740	TRAFFIC C - REINFORCED ALUMINIUM CURTAIN PROFILE (L 4250mm)	85.00
	HSD741	TRAFFIC C - REINFORCED ALUMINIUM CURTAIN PROFILE (L 6250mm)	101.00
28	HSD742	TRAFFIC C - KIT OF 4 EXPANSION SCREW FOR CURTAIN PROFILE	7.00
29	HSD743	TRAFFIC C - GALVANIZED PIPE FOR FULL CURTAIN ø18 X 1,5 (L 6500mm)	17.00
	HSD744	TRAFFIC C - GALVANIZED PIPE FOR FULL CURTAIN ø22 X 1,5 (L 6500mm)	22.00
	HSD745	TRAFFIC C - GALVANIZED PIPE ø 30x1,5 L 6500 mm	30.00
	HSD746	TRAFFIC C - GALVANIZED PIPE ø 33x2,5 (L 6000mm)	57.00
	HSD747	TRAFFIC C - GALVANIZED PIPE ø 33x2,5 (L > 6000mm)	221.00
	HSD748	TRAFFIC C - GALVANIZED PIPE ø 40x2 L 6000 mm	70.00
	HSD749	TRAFFIC C - GALVANIZED PIPE ø 40x2 (L > 6000mm)	242.00
30	HSD750	TRAFFIC C - CAP FOR PIPE ø 22x1,5 mm	0.00
	HSD751	TRAFFIC C - CAP FOR PIPE ø 30x1,5 mm	1.10
	HSD752	TRAFFIC C - CAP FOR PIPE ø 33,7x2,65 mm	1.10
	HSD753	TRAFFIC C - CAP FOR PIPE ø 40 mm	3.10
31	HSD754	TRAFFIC C - CURTAIN PROTECTION SHELL WITH SCREWS	2.10

32	HSD755	TRAFFIC C - CURTAIN SUPPLEMENTARY PROTECTION	13.00
	HSD756	TRAFFIC C - PIPES / PROFILES SHARP CUTTING	30.00
33	HSD757	TRAFFIC C - PIPE CANVAS BELT SLEEVE FOR POLYESTER SECTION	8.00
	HSD758	TRAFFIC C - PIPE CANVAS BELT SLEEVE FOR PVC TRANSPARENT SECTION	6.00
34	HSD759	TRAFFIC C - LIFTING BELT FOR CURTAIN & COUNTERWEIGHT (L 50m ROLL)	116.00
35	HSD760	TRAFFIC C - CURTAIN LIFTING SLEEVE	11.00

FULL CURTAINS TABLE

	1500	2000	2500	3600	4000	4500	5500	6000	
2000									2000
2200		(A)				(B)			2200
2600									2600
3000									3000
3600							(C)		3600
4600									4600
5500								(D)	5500

NVM TRAFFIC CM



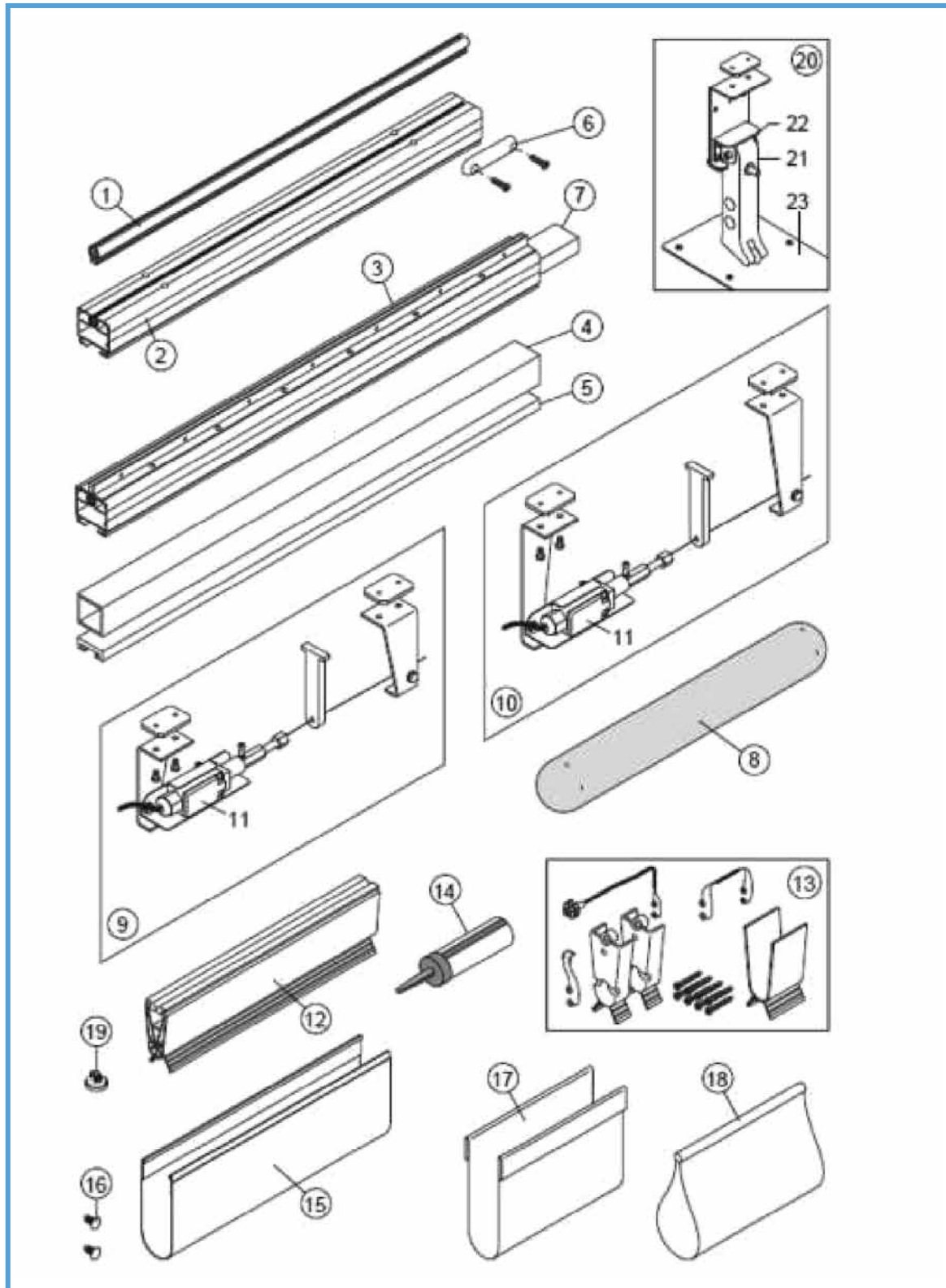
Brook Street Nelson Lancashire BB9 9PU
T: 01282 615239 F: 01282 698509 E: sales@nvmgroup.co.uk
W: www.nvmgroup.co.uk

NVM TRAFFIC CM

Dwg Ref	Part No	Description	Unit Price £gbp
1	HSD801	TRAFFIC CM - COMPLETE PASSIVE EDGE (PL <=6000mm)	253.00
	HSD802	TRAFFIC CM - COMPLETE PASSIVE EDGE (PL <=11000mm)	442.00
2	HSD803	TRAFFIC CM - COMPLETE ELECTROMECHANICAL SAFETY EDGE (PL >6000mm)	425.00
	HSD804	TRAFFIC CM - COMPLETE ELECTROMECHANICAL SAFETY EDGE (PL <9000mm)	623.00
	HSD805	TRAFFIC CM - COMPLETE ELECTROMECHANICAL SAFETY EDGE (PL <11000mm)	660.00
3	HSD806	TRAFFIC CM - COMPLETE SOF SAFETY EDGE (PL <6000mm)	682.00
	HSD807	TRAFFIC CM - COMPLETE SOF SAFETY EDGE (PL <9000mm)	843.00
	HSD808	TRAFFIC CM - COMPLETE SOF SAFETY EDGE (PL <11000mm)	1,053.00
4	HSD809	TRAFFIC CM - COMPLETE SQUARE STEEL PIPE SOF SAFETY EDGE (PL >6000mm)	834.00
	HSD810	TRAFFIC CM - COMPLETE SQUARE STEEL PIPE SOF SAFETY EDGE (PL >9000mm)	1,196.00
	HSD811	TRAFFIC CM - COMPLETE SQUARE STEEL PIPE SOF SAFETY EDGE (PL >11000mm)	1,414.00
5	HSD812	TRAFFIC CM - COMPLETE SOF SAFETY EDGE WITH GOPAV (PL >6000mm)	797.00
	HSD813	TRAFFIC CM - COMPLETE SOF SAFETY EDGE WITH GOPAV (PL >9000mm)	1,196.00
	HSD814	TRAFFIC CM - COMPLETE SOF SAFETY EDGE WITH GOPAV (PL >11000mm)	1,217.00
6	HSD815	TRAFFIC CM - SPIRAL CABLE 2x0,75 UP TO 5000mm LONG	115.00
	HSD816	TRAFFIC CM - SPIRAL CABLE 4x0,75 UP TO 4250mm LONG	127.00
7	HSD817	TRAFFIC CM - WIRELESS SIGNAL TRANSMISSION DEVICE	233.00
10	HSD820	TRAFFIC CM - TRANSMISSION CHAIN	47.00
11	HSD821	TRAFFIC CM - SHAFT COG-WHEEL 36 TEETH	131.00
	HSD822	TRAFFIC CM - SHAFT COG-WHEEL 42 TEETH	137.00
12	HSD823	TRAFFIC CM - ADDITIONAL RELEASE SYSTEM KIT	47.00
13	HSD824	TRAFFIC CM - RELEASE SYSTEM KIT FOR TRAFFIC CM	130.00
14	HSD825	TRAFFIC CM - NYLON SECONDARY PULLEY	54.00
15	HSD826	TRAFFIC CM - COUNTERWEIGHT HOLDER TRAFFIC CM	11.00
16	HSD827	TRAFFIC CM - MODULAR TRAFFIC CM COUNTERWEIGHT 45x150x30 mm	43.00

17	HSD828	TRAFFIC CM - NYLON COUNTERWEIGHT SECONDARY PULLEY	58.00
18	HSD829	TRAFFIC CM - ROLL OF PVC GASKET FOR POSTS L 70 m	396.00
19	HSD830	TRAFFIC CM - INFRARED PHOTOCELL	74.00
20	HSD831	TRAFFIC CM - COMPLETE COLUMN COVER PH \leq 6000 mm	440.00
	HSD832	TRAFFIC CM - COMPLETE COLUMN COVER PH \leq 8500 mm	558.00
21	HSD833	TRAFFIC CM - COMPLETE COLUMN WITH COVER R/H (PH \leq 6000mm)	1,723.00
	HSD834	TRAFFIC CM - COMPLETE COLUMN WITH COVER R/H (PH \leq 8500mm)	2,554.00
22	HSD835	TRAFFIC CM - COMPLETE COLUMN WITH COVER L/H (PH \leq 6000mm)	1,726.00
	HSD836	TRAFFIC CM - COMPLETE COLUMN WITH COVER L/H (PH \leq 8500mm)	2,634.00
23	HSD837	TRAFFIC CM - COMPLETE TRANSOM WITHOUT MOTOR (PL \leq 6000mm)	2,637.00
	HSD838	TRAFFIC CM - COMPLETE TRANSOM WITHOUT MOTOR (PL \leq 9000mm)	4,261.00
	HSD839	TRAFFIC CM - COMPLETE TRANSOM WITHOUT MOTOR (PL \leq 11000mm)	4,885.00
	HSD840	TRAFFIC CM - EXTRACHARGE FOR FRAME PAINTING	116.00
24	HSD841	TRAFFIC CM - GALVANISED PIPE FOR FULL CURTAIN 18 ϕ 18mmX1.5mm (L 6500mm)	17.00
	HSD842	TRAFFIC CM - GALVANISED PIPE FOR FULL CURTAIN 22 ϕ 18mmX1.5mm (L 6500mm)	22.00
24	HSD843	TRAFFIC CM - GALVANIZED PIPE ϕ 22mmx1.5mm (L >6500mm)	102.00
	HSD844	TRAFFIC CM - GALVANIZED PIPE ϕ 30mmx1.5mm (L >6500mm)	30.00
	HSD845	TRAFFIC CM - GALVANIZED PIPE ϕ 30mmx2.0mm (L >6500mm)	118.00
	HSD846	TRAFFIC CM - GALVANIZED PIPE ϕ 33mmx2.5mm (L >6500mm)	57.00
	HSD847	TRAFFIC CM - GALVANIZED PIPE ϕ 33mmx2.5mm (L >6000mm)	221.00
	HSD848	TRAFFIC CM - GALVANIZED PIPE ϕ 40mmx2.0mm (L 6000mm)	70.00
	HSD849	TRAFFIC CM - GALVANIZED PIPE ϕ 40mmx2.0mm (L >6000mm)	242.00
	HSD850	TRAFFIC CM - JUNCTION PIPE FOR 30MM AND 33MM DIAMETER	8.00
	HSD851	TRAFFIC CM - JUNCTION FOR 40MM DIAMETER PIPES	14.00
25	HSD852	TRAFFIC CM - CAP FOR PIPE ϕ 22mmx1.5mm	0.55
	HSD853	TRAFFIC CM - CAP FOR PIPE ϕ 30mmx1.5mm	1.10
	HSD854	TRAFFIC CM - CAP FOR PIPE ϕ 33mmx2.5mm	1.10
	HSD855	TRAFFIC CM - CAP FOR PIPE ϕ 40mm	3.10

NVM SAFETY EDGES



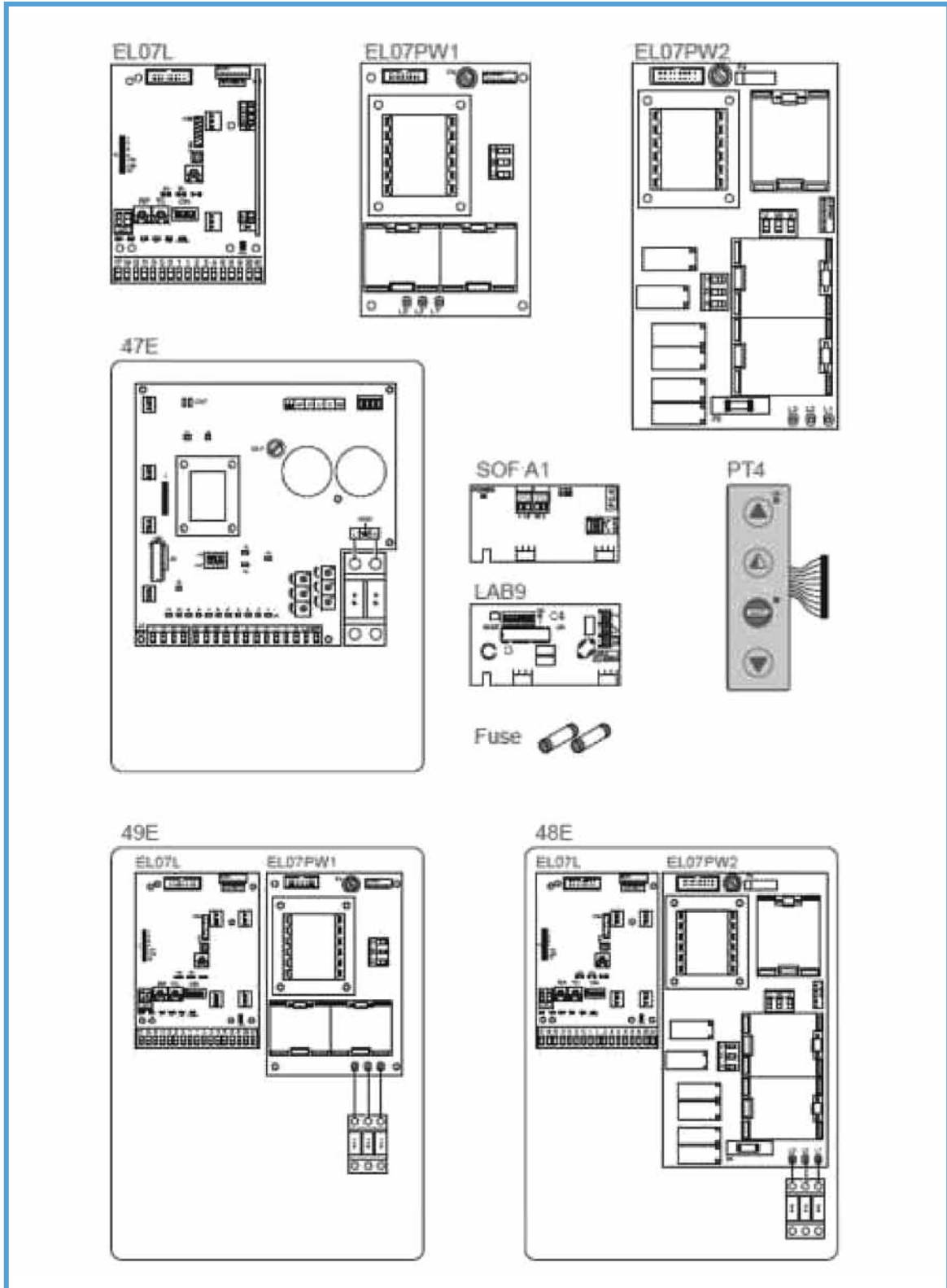
Brook Street Nelson Lancashire BB9 9PU
T: 01282 615239 F: 01282 698509 E: sales@nvmgroup.co.uk
W: www.nvmgroup.co.uk

NVM SAFETY EDGES

Dwg Ref	Part No	Description	Unit Price £gbp
1	HSD050	ALUMINIUM PROFILE FOR PASSIVE EDGE (L = 4250mm)	31.00
	HSD051	ALUMINIUM PROFILE FOR PASSIVE EDGE (L = 5250mm)	36.00
	HSD052	ALUMINIUM PROFILE FOR PASSIVE EDGE (L = 6250mm)	45.00
2	HSD053	ALUMINIUM SAFETY EDGE REINFORCED PROFILE (L = 4200mm)	88.00
	HSD054	ALUMINIUM SAFETY EDGE REINFORCED PROFILE (L = 5200mm)	110.00
	HSD055	ALUMINIUM SAFETY EDGE REINFORCED PROFILE (L = 6200mm)	129.00
3	HSD056	ALUMINIUM SAFETY EDGE PROFILE FOR FLASH CS, CB DOORS WITH PVC CURTAIN (L = 4250mm)	204.00
	HSD057	ALUMINIUM SAFETY EDGE PROFILE FOR FLASH CS, CB DOORS WITH PVC CURTAIN (L = 6250mm)	268.00
4	HSD058	SQUARE PIPE 30mm x 30mm x 3 mm (L 6000mm)	107.00
5	HSD059	ALUMINIUM PROFILE SUPPORT (L 6000mm)	67.00
6	HSD060	4 SIDE PLATES WITH SCREWS FOR SHOE FIXING SET	14.00
7	HSD061	GALVAN ISED TUBULAR PROFILE FOR SAFETY EDGE 40mm x 20mm x 3mm (L 6000mm)	118.00
	HSD062	LAMINATED PLATE 40mm x20mm (L 6000mm)	115.00
8	HSD063	INNER SAND BALLAST FOR PASSIVE EDGE	102.00
	HSD064	INNER STILL BALLS BALLAST FOR PASSIVE EDGE	423.00
9	HSD065	ELECTROMECHANICAL SAFETY EDGE COMPONENTS	187.00
10	HSD066	ELECTROMECHANICAL SAFETY EDGE COMPONENTS FOR TRAFFIC CM	179.00
11	HSD067	MICROSWITCH FOR ELECTROMECHANICAL SAFETY EDGE	53.00
12	HSD068	EXTRUDEDL CONDUCTIVE RUBBER PROFILE WITH FINS (L 4800mm)	198.00
	HSD069	EXTRUDEDL CONDUCTIVE RUBBER PROFILE WITH FINS (L 5250mm)	217.00
	HSD070	EXTRUDEDL CONDUCTIVE RUBBER PROFILE WITH FINS (L 6300mm)	259.00
13	HSD071	SOF SAFETY EDGE COMPONENTS	33.00
14	HSD072	BLACK SILICON CARTRIDGE	20.00
15	HSD073	GREY SAFETY POLYESTER EDGE COVERING (L=6250mm)	81.00
	HSD074	GREY SAFETY POLYESTER EDGE COVERING (L=11400mm)	135.00

16	HSD075	<i>PRESSURE BUTTONS FOR PASSIVE SAFETY EDGE POLYESTER COVERING (10pce SET)</i>	10.00
17	HSD076	<i>POLYESTER COVERING FOR SAFETY EDGE (STANDARD GREY)</i>	118.00
18	HSD077	<i>POLYESTER FOR SIMPLE RESET (STANDARD GREY)</i>	171.00
19	HSD078	<i>N.C. CONTACT PRESSURE SWITCH</i>	24.00
20	HSD079	<i>MOBILE PHOTOCCELL SET</i>	369.00
21	HSD080	<i>MOBILE PHOTOCCELL</i>	309.00
22	HSD081	<i>MOBILE PHOTOCCELL SPRING</i>	9.00
23	HSD082	<i>GALVANIZED PLATE FOR MOBILE PHOTOCCELL</i>	8.00
	HSD083	<i>PIPES / PROFILES SHARP CUTTING</i>	30.00

NVM ELECTRONIC BOARDS

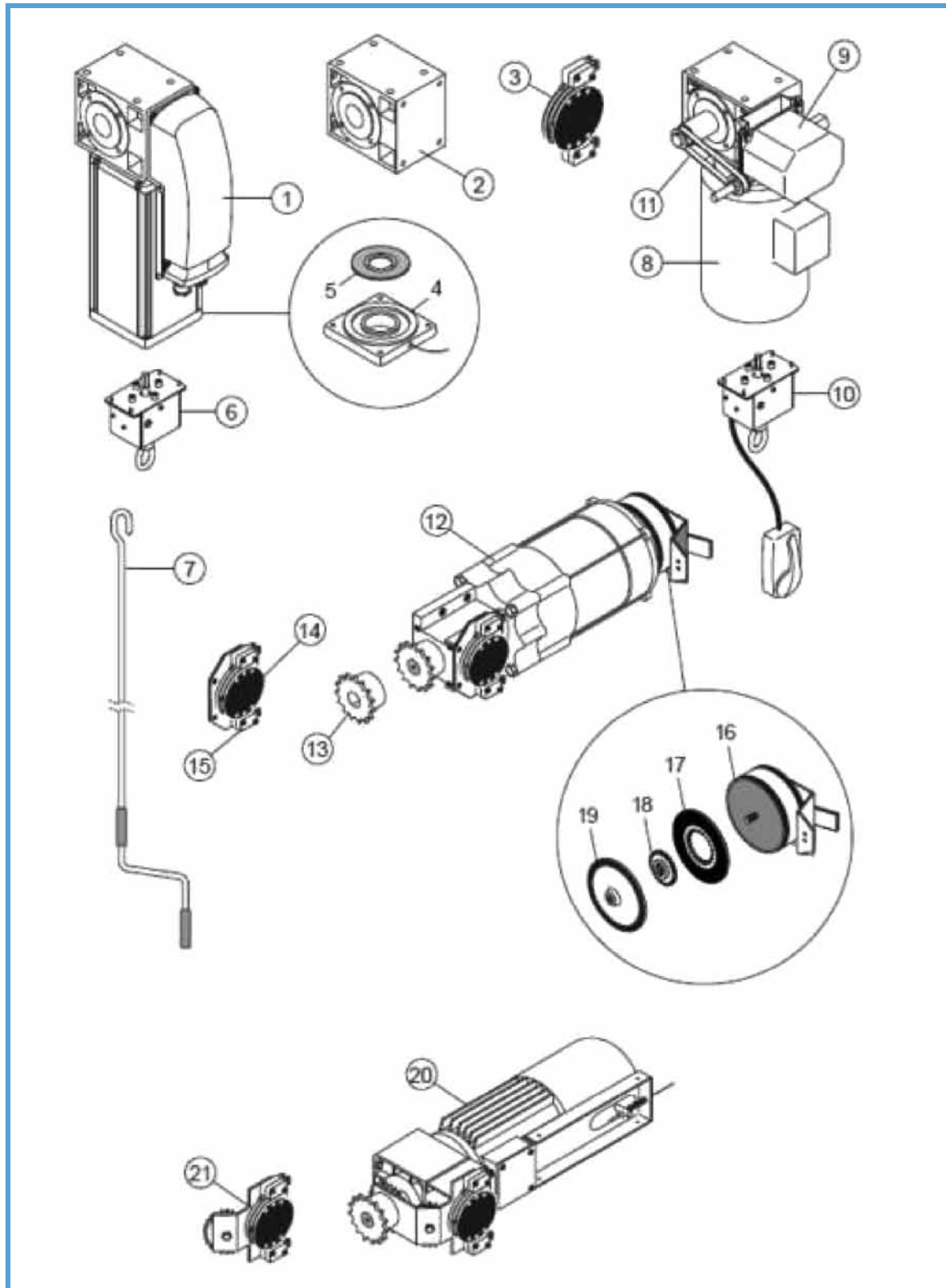


Brook Street Nelson Lancashire BB9 9PU
T: 01282 615239 F: 01282 698509 E: sales@nvmgroup.co.uk
W: www.nvmgroup.co.uk

NVM ELECTRONIC BOARDS

Dwg Ref	Part No	Description	Unit Price £gbp
	HSD132	LOGIC <i>ELECTRONIC BOARD 48E / 49E</i>	126.00
	HSD133	44E LOGIC <i>ELECTRONIC REPLACEMENT SET</i>	211.00
	HSD134	POWER <i>ELECTRONIC BOARD 49E</i>	223.00
	HSD135	POWER <i>ELECTRONIC BOARD 48E</i>	340.00
	HSD136	INVERTER <i>UPGRADING KIT (47E + K10 AT4D + WIRING)</i>	2,263.00
	HSD137	IP55pushbuttons)CASE FOR <i>ELECTRONIC BOX (wihout membrane)</i>	33.00
	HSD138	ELECTRONIC EDGE <i>AMPLIFIER CARD FOR SOF SAFETY</i>	62.00
	HSD139	CARD <i>READER FOR MAGNETIC COIL</i>	143.00
	HSD140	APS <i>ELECTRONIC CARD</i>	59.00
	HSD141	MEMBRANE <i>PUSHBUTTONS PAD</i>	36.00
	HSD142	SAFETY <i>WITHOUT TEST CARD</i>	30.00
	HSD143	BRAKING <i>RESISTOR GROUP</i>	263.00
	HSD144	EXTERNAL CONTROL BOARD 49E WITH KEYBOARDS	515.00
	HSD145	EXTERNAL CONTROL BOARD 48E WITH KEYBORDS	642.00
	HSD146	EXTERNAL CONTROL BOARD WITH BUTTONS PANEL FOR 230 V 3PHASE MOTOR	1,270.00
	HSD147	SET OF 10PCS OF 12A FUSES FOR 47E CONTROL BOARD	20.00
	HSD148	SET OF 10 PCS OF 8A FUSES FOR 48E/49E CONTROL BOARD	20.00
	HSD149	SET OF 10PCS OF 2,5A FUSES FOR 48E	13.00

NVM MOTORS



Brook Street Nelson Lancashire BB9 9PU
T: 01282 615239 F: 01282 698509 E: sales@nvmgroup.co.uk
W: www.nvmgroup.co.uk

NVM MOTORS

Dwg Ref	Part No	Description	Unit Price £gbp
1	HSD152	K22 GEARED MOTOR 400V 3-PHASE 1 SPEED DYNAMIC BRAKING (SMART)	1,068.00
	HSD153	K22 GEARED MOTOR 400V 3-PHASE 1 SPEED DYNAMIC BRAKING R/H (SMART)	1,069.00
	HSD154	K22 GEARED MOTOR 400V 3-PHASE 1 SPEED (ENERGY)	1,089.00
	HSD155	K22 GEARED MOTOR 400V 3-PHASE 1 SPEED R/H (ENERGY)	1,089.00
	HSD156	K22 GEARED MOTOR 230V 3-PHASE (INVERTER)	1,102.00
	HSD157	K22 GEARED MOTOR 230V 3-PHASE R/H (INVERTER)	1,102.00
	HSD158	ELECTRIC MOTOR GROUP 400V 3-PHASE	495.00
	HSD159	ELECTRIC MOTOR GROUP 230V 3-PHASE (INVERTER)	629.00
2	HSD160	K22 GEAR BOX	374.00
3	HSD161	K22 LIMIT SWITCH SET	50.00
4	HSD162	K22 BRAKE SOLENOID	103.00
5	HSD163	K22 BRAKE DISC	21.00
	HSD164	K22 BRAKE FEEDER (ENERGY)	14.00
6	HSD165	K22 MOTOR BRAKE RELEASE ASSEMBLY	85.00
7	HSD166	MOVEMENT ROD L= 3000 mm	46.00
	HSD167	MOVEMENT ROD L= 2500 mm	30.00
	HSD168	MOVEMENT ROD L= 2000 mm	29.00
	HSD169	MOVEMENT ROD L= 1500 mm	26.00
	HSD170	MOVEMENT ROD L= 1000 mm	25.00
	HSD171	K22 MOTOR CHJANGING SET R/H	131.00
8	HSD172	K26 GEAR MOTOR 400V 3-PHASE 1 SPEED	1,360.00
9	HSD173	K26AT2 / 5K27A LIMIT SWITCH SET	261.00
10	HSD174	K26 MOTOR BRAKE RELEASE	284.00
11	HSD175	TRASMISSION BELT FOR K26/K27 LIMIT SWITCH	17.00
12	HSD176	K10 GEARED MOTOR 400V 3-PHASE 1 SPEED	848.00

12	HSD177	K10 GEARED MOTOR 400V 3-PHASE 2 SPEED	1,105.00
	HSD178	K10 GEARED MOTOR 230V 3-PHASE (INVERTER)	878.00
13	HSD179	K10 SINGLE SPEED INVERTER PINION & SCREW	31.00
	HSD180	K10 DOUBLE SPEED INVERTER PINION & SCREW	54.00
14	HSD181	K10 GEARED MOTOR LIMIT SWITCH SET	49.00
15	HSD182	MICROSWITCH	3.10
16	HSD183	K10 BRAKE SOLENOID	135.00
17	HSD184	K10 STAINLESS STEEL BRAKE DISC	49.00
18	HSD185	K10 BRAKE DISK GUIDE	174.00
19	HSD186	K10 ALUMINIUM BRAKE DISC (discontinued)	85.00
20	HSD187	K21 GEARED MOTOR 400V 3-PHASE 1 SPEED	1,743.00
21	HSD188	K21 GEARED MOTOR LIMIT SWITCH SET	113.00





Brook Street Nelson Lancashire BB9 9PU
T: 01282 615239 F: 01282 698509
E: sales@nvmgroup.co.uk
W: www.nvmgroup.co.uk

